



Excellent Integrated System Limited

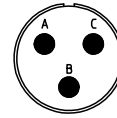
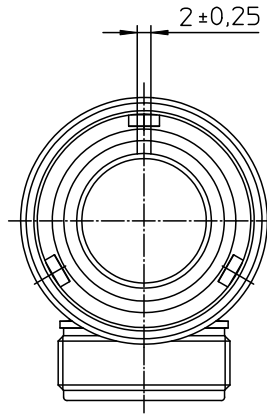
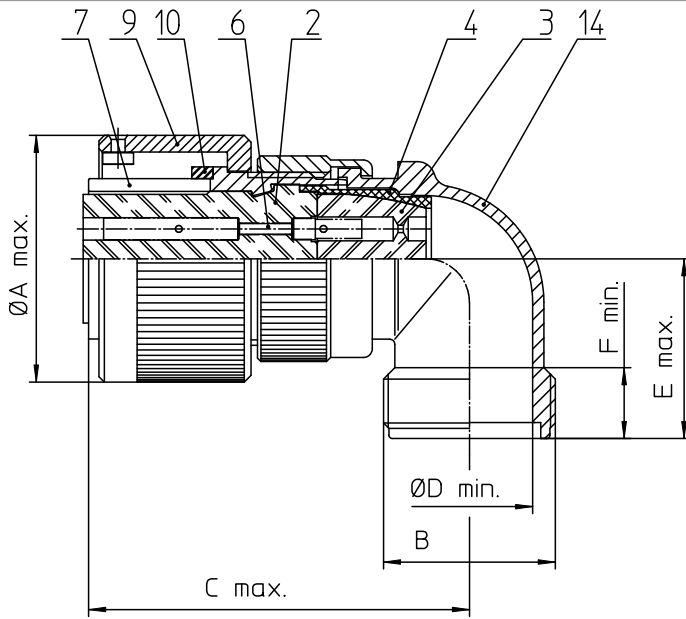
Stocking Distributor

Click to view price, real time Inventory, Delivery & Lifecycle Information:

[ITT Cannon, LLC](#)
[CA08COMF10SL-3SB01-44](#)

For any questions, you can email us directly:

sales@integrated-circuit.com



NO.	MASSE / DIMENSION
A	22,8
B	5/8-24UNEF-2A
C	45
D	9,5
E	22
F	9,4

NO.	BESCHREIBUNG / DESCRIPTION
2	ISOLIERKÖRPER BUCHSE / INSULATOR SOCKET
3	DICHTKÖRPER / GROMMET
4	ENDRING / ENDRING
6	KONTAKTBUCHSE / CONTACT SOCKET
7	ZYLINDERGHÄUSE / BARREL
9	ÜBERWURFMUTTER / COUPLING NUT
10	DICHTRING FRONT / FRONT SEALING RING
14	F-ENDGEHÄUSE / F-ENDBELL

Note: Due to an automatic nomenclature system, numbers generated may not be sequential.
 Specification and Dimensions subject to change
 Drawings illustrate normal insulator positioning

Material Specification:
 Shell Material: Aluminium alloy
 Shell Plating: Nickel plated
 Insulator Material: CR-Elastomere
 Contact Material: Copper alloy
 Contact Plating: Hard silver

all dimensions are in mm
 Dimensions without tolerance indications are general tolerances in acc. with DIN7180m

description: CA08COM-F10SL-3S-B-01-44
 Plug 90°
 F-Endbell with ferrule and grommet
 Metric Crimp / Socket / Layout: 10SL-3

ITT
 Engineered for life
 ITT CANADA CORP.
 5 - 7124 Westside Drive

drawing for: CUSTOMER

© All rights reserved. Reproduction or use in any form without written authorization of ITT Cannon

page 1/1
 revision 484 3. Jul 16