

## Excellent Integrated System Limited

Stocking Distributor

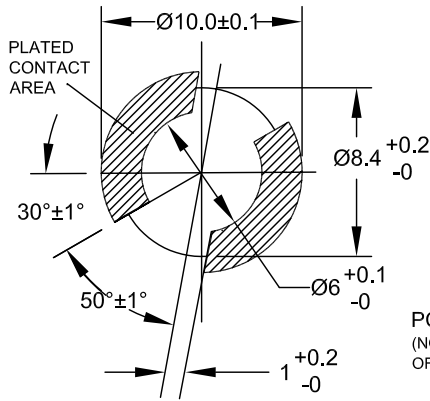
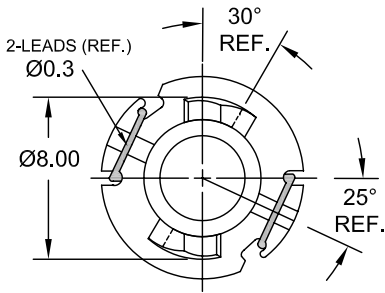
Click to view price, real time Inventory, Delivery & Lifecycle Information:

[JKL Components Corporation](#)  
[DNW1-DW33/GRA](#)

For any questions, you can email us directly:

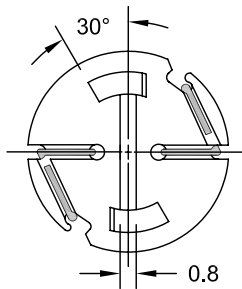
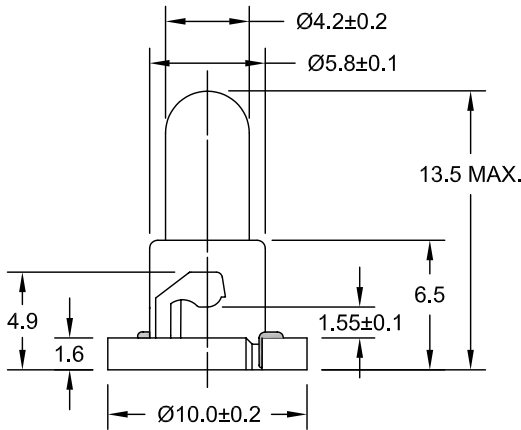
[sales@integrated-circuit.com](mailto:sales@integrated-circuit.com)

REV.	DESCRIPTION/ECO NO.	DATE
	RELEASED	5/21/01
A	CHANGE TO (Pb) FREE ASSY.	2/17/05



PC BOARD PUNCH PATTERN

PC BOARD PUNCH PATTERN  
(NO TREATMENT, SUCH AS APPLICATION OF FLUX, SHALL BE DONE.)



JKL PART NO.: DNW1-DW33/GRA\*\*\*

JKL LAMP NUMBER	VOLTS RATED	AMPS ±10%	*MSCP ±25%	*LUMENS ±25%	AVERAGE LIFE HRS.	FILAMENT TYPE
DNW1-DW33**	14.0	.125	0.7	9.0	5,000 D.C.	C-2F

BASE COLOR: GRAY

\* LAMP RATED ONLY WITHOUT BASE.

\*\* LAMP GLASS LEAD (Pb) FREE

\*\*\* LAMP AND ASSEMBLY LEAD (Pb) FREE.

CONTACT JKL FOR LEAD (Pb) FREE LOT IDENTIFICATION.

<b>METRIC</b>  THIRD ANGLE PROJECTION	DIMENSIONS ARE IN MILLIMETERS TOLERANCE UNLESS OTHERWISE SPECIFIED 1 PL +/- 0.2 2 PL +/- 0.20 ANGLE +/- 0		<b>JKL COMPONENTS CORPORATION</b>			
	DRAWN BY L. WENGSTROM		APP'VD BY J.K.		DATE 2/17/05	
- CAD DRAWING - MANUAL REVISIONS NOT PERMITTED		SIZE <b>A</b>	FSCM NO. <b>55335</b>	DRAWING NO. <b>DNW1-DW33/GRA</b>		
		SCALE NONE	RELEASED DATE 5/21/01	REVISION DATE 2/17/05	REV. NO. <b>A</b>	SHEET 1 OF 1
TITLE T-1 1/4 NEO-WEDGE GRAY BASE WITH DW33 LAMP						