

## **Excellent Integrated System Limited**

Stocking Distributor

Click to view price, real time Inventory, Delivery & Lifecycle Information:

[Sanken](#)  
[2SA1860](#)

For any questions, you can email us directly:

[sales@integrated-circuit.com](mailto:sales@integrated-circuit.com)

# LAPT 2SA1860

Silicon PNP Epitaxial Planar Transistor (Complement to type 2SC4886)

Application : Audio and General Purpose

**Absolute maximum ratings** (Ta=25°C)

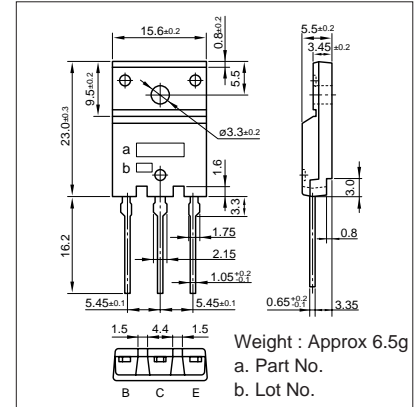
Symbol	Ratings	Unit
VcBO	-150	V
VCEO	-150	V
VEBO	-5	V
Ic	-14	A
Ib	-3	A
Pc	80(Tc=25°C)	W
Tj	150	°C
Tstg	-55 to +150	°C

**Electrical Characteristics** (Ta=25°C)

Symbol	Conditions	Ratings	Unit
ICBO	VcB=-150V	-100max	μA
IEBO	VEB=-5V	-100max	μA
V(BR)CEO	Ic=-25mA	-150min	V
hFE	VCE=-4V, Ic=-5A	50min*	
VCE(sat)	Ic=-5A, Ib=-500mA	-2.0max	V
fr	VCE=-12V, IE=2A	50typ	MHz
COB	VcB=-10V, f=1MHz	400typ	pF

\*hFE Rank O(50to100), P(70to140), Y(90to180)

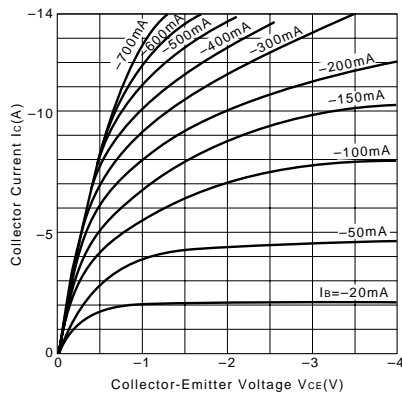
**External Dimensions FM100(TO3PF)**



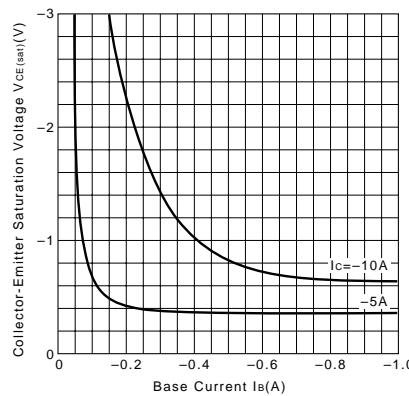
**Typical Switching Characteristics (Common Emitter)**

Vcc (V)	RL (Ω)	Ic (A)	VBB1 (V)	VBB2 (V)	Ib1 (mA)	Ib2 (mA)	ton (μs)	tstg (μs)	tf (μs)
-60	12	-5	-10	5	-500	500	0.25typ	0.85typ	0.2typ

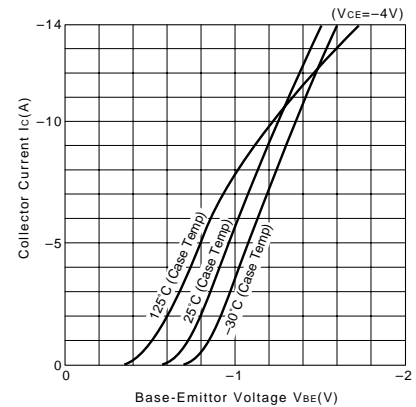
**Ic-VCE Characteristics (Typical)**



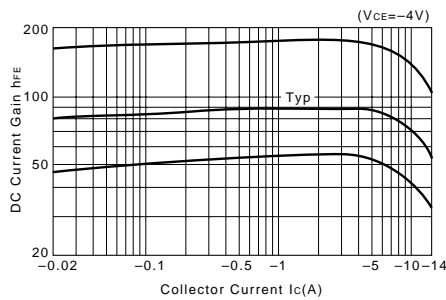
**VCE(sat)-Ib Characteristics (Typical)**



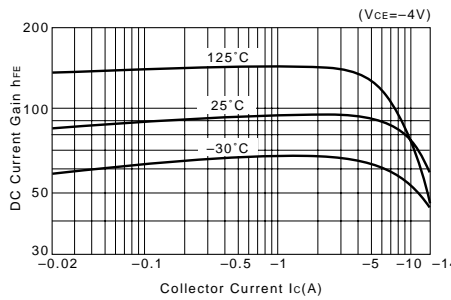
**Ic-VBE Temperature Characteristics (Typical)**



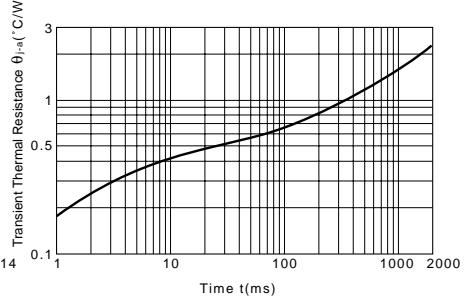
**hFE-Ic Characteristics (Typical)**



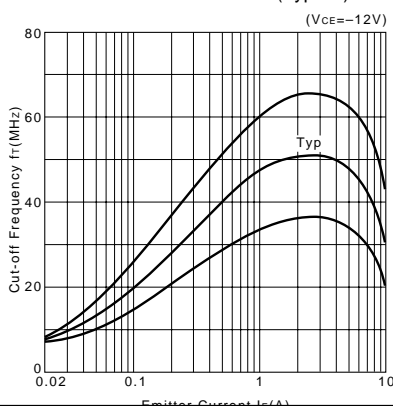
**hFE-Ic Temperature Characteristics (Typical)**



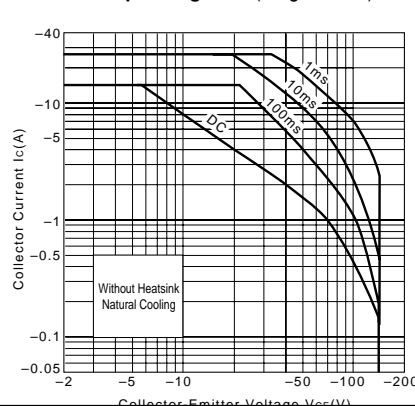
**θj-a-t Characteristics**



**fr-IE Characteristics (Typical)**



**Safe Operating Area (Single Pulse)**



**Pc-Ta Derating**

