



## **Excellent Integrated System Limited**

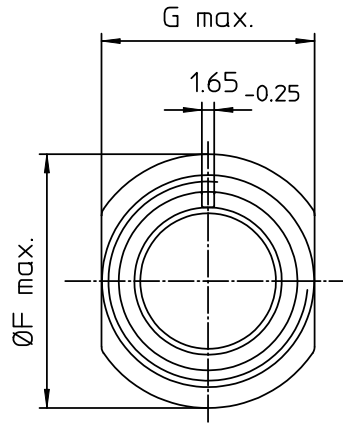
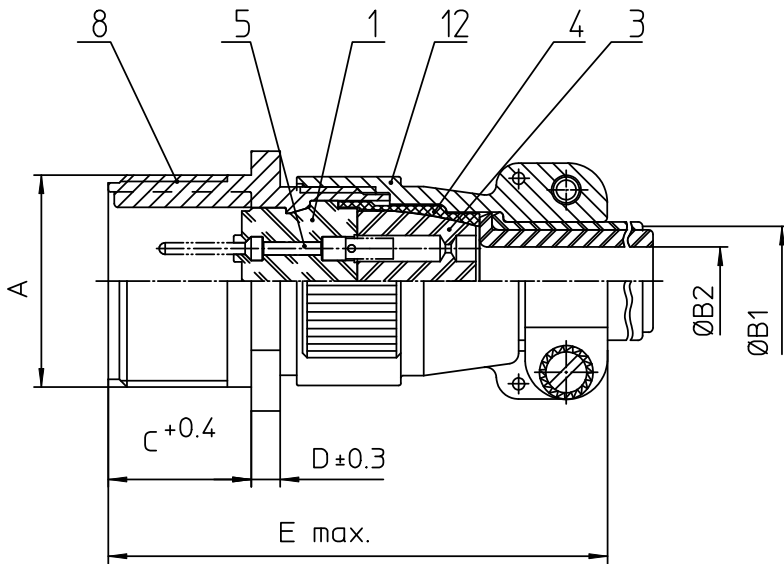
Stocking Distributor

Click to view price, real time Inventory, Delivery & Lifecycle Information:

[ITT Cannon, LLC](#)  
[MS3101F28-12P](#)

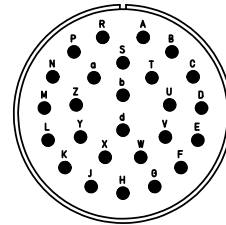
For any questions, you can email us directly:

[sales@integrated-circuit.com](mailto:sales@integrated-circuit.com)




| NO. | MASSE / DIMENSION |
|-----|-------------------|
| A   | 1 3/4-18NS-2A     |
| B1  | 21.5              |
| B2  | 16.6              |
| C   | 20.6              |
| D   | 4                 |
| E   | 76                |
| F   | 50.4              |
| G   | 44.8              |

| NO. | BESCHREIBUNG / DESCRIPTION          |
|-----|-------------------------------------|
| 1   | ISOLIERKÖRPER STIFT / INSULATOR PIN |
| 3   | DICHTKÖRPER / GROMMET               |
| 4   | ENDRING / ENDRING                   |
| 5   | KONTAKTSTIFT / CONTACT PIN          |
| 8   | DOSENGEHÄUSE / SHELL                |
| 12  | ENDGEHÄUSE / ENDBELL                |



|  |
|--|
| Note: Due to an automatic nomenclature system, numbers generated may not be sequential.            |
| Specification and Dimensions subject to change<br>Drawings illustrate normal insulator positioning |
| Material Specification:  |
| Shell Material: Aluminium alloy  |
| Shell Plating: Olive drab chromate coating over cadmium plating                                    |
| Insulator Material: Neoprene   |
| Contact Material: Copper alloy   |
| Contact Plating: Hard silver   |

|   |   |
|---|---|
| all dimensions are in mm<br>Dimensions without tolerance indications are general tolerances in acc. with DIN7168m   | drawing for<br>CUSTOMER   |
| <br><b>ITT</b><br><i>Engineered for life</i><br><small>ITT CANNON GERMANY<br/>D-75844 Weinstadt, Germany</small> | description: MS3101F28-12P<br>Cable connecting plug<br>Endbell with clamp and bushing<br>Solder Cup / Pin / Layout: 28-12 |
| © All rights reserved. Reproduction or issue to third in any form<br>whatever is only permitted with written authorization of ITT Cannon.   | page: 1/1<br>revision: 377 3. Jul 16  |