



## **Excellent Integrated System Limited**

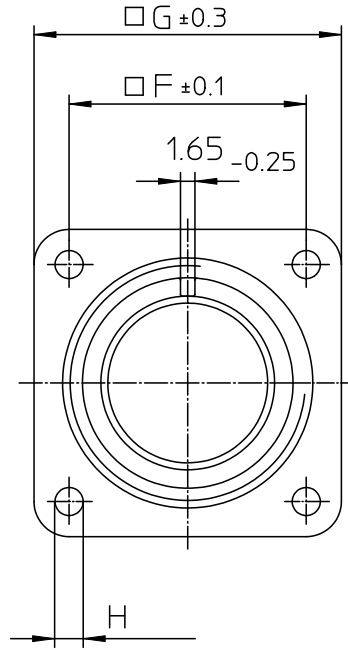
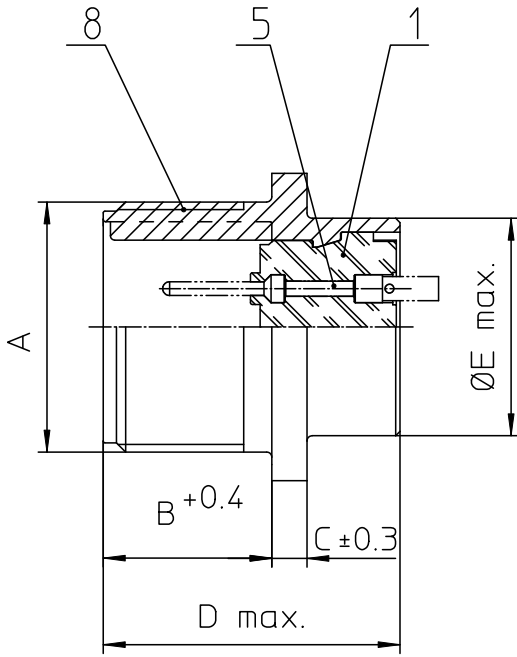
Stocking Distributor

Click to view price, real time Inventory, Delivery & Lifecycle Information:

[ITT Cannon, LLC](#)  
[MS3102E22-22PY](#)

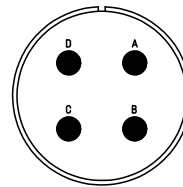
For any questions, you can email us directly:

[sales@integrated-circuit.com](mailto:sales@integrated-circuit.com)



NO.	MASSE / DIMENSION
A	1 3/8-18NEF-2A
B	19
C	4
D	34.2
E	32.2
F	31.8
G	41
H	3.1

NO.	BESCHREIBUNG / DESCRIPTION
1	ISOLIERKÖRPER STIFT / INSULATOR PIN
5	KONTAKTSTIFT / CONTACT PIN
8	DOSENGEHÄUSE / SHELL



<b>Note:</b> Due to an automatic nomenclature system, numbers generated may not be sequential.
<b>Specification and Dimensions</b> subject to change Drawings illustrate normal insulator positioning
<b>Material Specification:</b>
Shell Material: Aluminium alloy
Shell Plating: Olive drab chromate coating over cadmium plating
Insulator Material: Neoprene
Contact Material: Copper alloy
Contact Plating: Hard silver

<b>all dimensions are in mm</b> Dimensions without tolerance indications are general tolerances in acc. with DIN7168m	drawing for <b>CUSTOMER</b>
 <b>ITT</b> <i>Engineered for life</i> ITT CANNON SYSTEM 11-17304-0000/00000000	description MS3102E22-22PY Box mounting receptacle
© All rights reserved. Reproduction or issue to third in any form without prior written authorization of ITT Cannon	Solder Cup / Pin / Layout: 22-22- page 1/1 revision 377 3, Jul 16