



Excellent Integrated System Limited

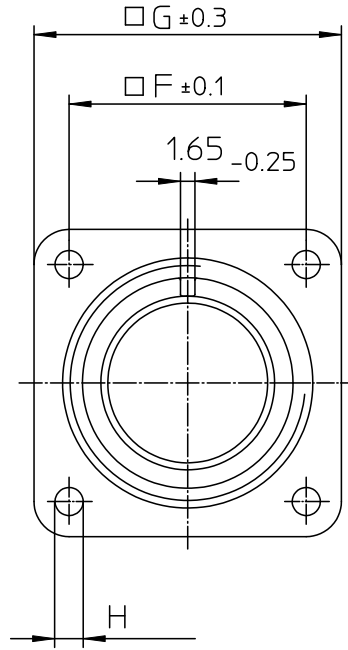
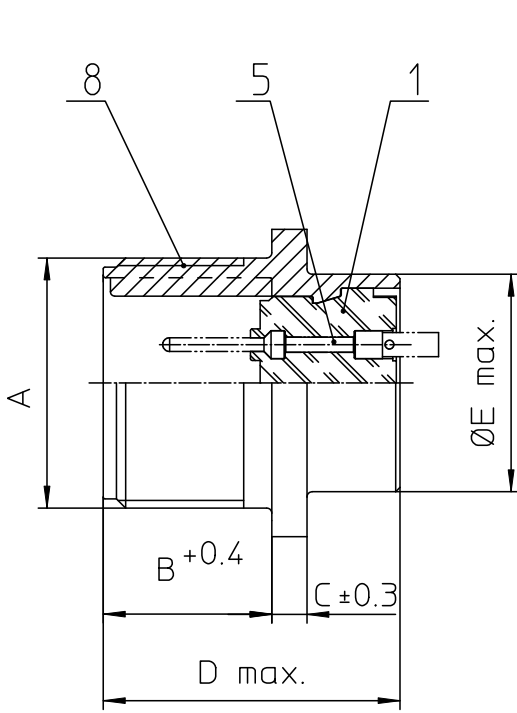
Stocking Distributor

Click to view price, real time Inventory, Delivery & Lifecycle Information:

[ITT Cannon, LLC](#)
[MS3102E22-23PW](#)

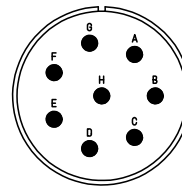
For any questions, you can email us directly:

sales@integrated-circuit.com


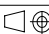


NO.	MASSE / DIMENSION
A	1 3/8-18NEF-2A
B	19
C	4
D	34.2
E	32.2
F	31.8
G	41
H	3.1

NO.	BESCHREIBUNG / DESCRIPTION
1	ISOLIERKÖRPER STIFT / INSULATOR PIN
5	KONTAKTSTIFT/ CONTACT PIN
8	DOSENGEHÄUSE / SHELL



<small>Note:</small> Due to an automatic nomenclature system, numbers generated may not be sequential.
<small>Specification and Dimensions subject to change</small> Drawings illustrate normal insulator positioning
Material Specification:
Shell Material: Aluminium alloy
Shell Plating: Olive drab chromate coating over cadmium plating
Insulator Material: Neoprene
Contact Material: Copper alloy
Contact Plating: Hard silver

all dimensions are in mm <small>Dimensions without tolerance indications are general tolerances in acc. with DIN7168m</small>	drawing for CUSTOMER
 ITT <small>Engineered for life</small> <small>ITT CANNON SYSTEMS</small> <small>11-17304-0000/00000000</small>	description MS3102E22-23PW Box mounting receptacle
<small>© All rights reserved. Reproduction or issue to third in any form without the written authorization of ITT Cannon</small>	Solder Cup / Pin / Layout: 22-23
 page 1/1	revision 377 3, Jul 16