

## Excellent Integrated System Limited

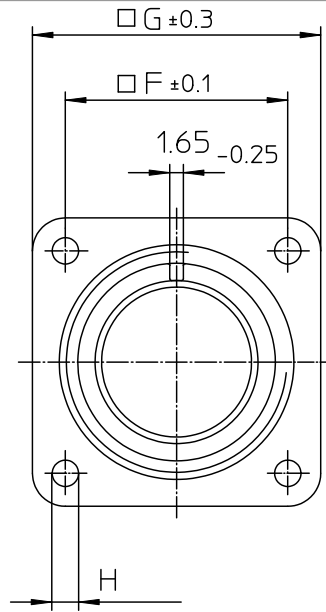
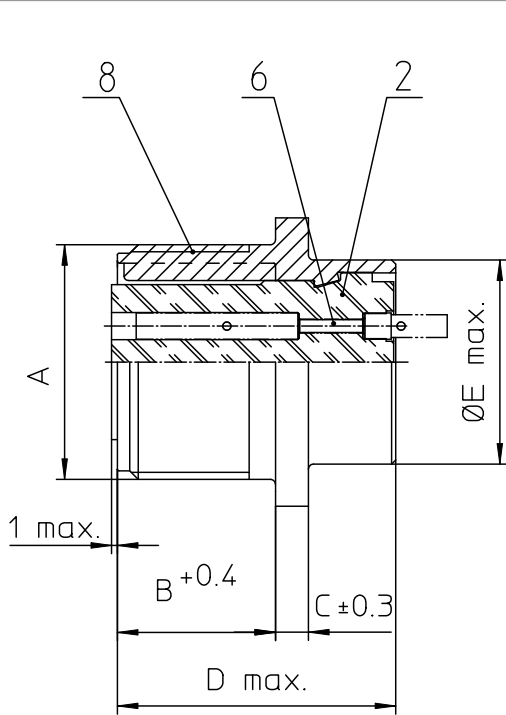
Stocking Distributor

Click to view price, real time Inventory, Delivery & Lifecycle Information:

[ITT Cannon, LLC](#)  
[MS3102E24-28SZ](#)

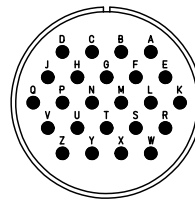
For any questions, you can email us directly:

[sales@integrated-circuit.com](mailto:sales@integrated-circuit.com)



| NO. | MASSE / DIMENSION |
|-----|-------------------|
| A   | 1 1/2-18NEF-2A    |
| B   | 20.6              |
| C   | 4                 |
| D   | 34.2              |
| E   | 35.3              |
| F   | 34.9              |
| G   | 44.5              |
| H   | 3.7               |

| NO. | BESCHREIBUNG / DESCRIPTION              |
|-----|---|
| 2   | ISOLIERKÖRPER BUCHSE / INSULATOR SOCKET |
| 6   | KONTAKTBUCHSE / CONTACT SOCKET          |
| 8   | DOSENGEHÄUSE / SHELL                    |



|  |  |
|--|--|
| <p>Note: Due to an automatic nomenclature system, numbers generated may not be sequential.<br/>Specification and Dimensions subject to change<br/>Drawings illustrate normal insulator positioning</p> |  |
| <p>Material Specification: _____</p>   |  |
| Shell Material:  | Aluminium alloy                                  |
| Shell Plating:   | Olive drab chromate coating over cadmium plating |
| Insulator Material:  | Neoprene   |
| Contact Material:  | Copper alloy                                     |
| Contact Plating:   | Hard silver                                      |

|   |   |
|---|---|
| <p>all dimensions are in mm<br/>Dimensions without tolerance indications are general tolerances in acc. with DIN 1880</p> | <p>drawing for<br/>CUSTOMER</p>   |
| <p><b>ITT</b><br/>Engineered for life<br/>ITT CANNON GMBH<br/>D-71364 Weinstadt Germany</p>                               | <p>description MS3102E24-28SZ<br/>Box mounting receptacle<br/>Solder Cup / Socket / Layout: 24-28</p> |
| <p>© All rights reserved. Reproduction or issue in any form without the prior written permission of ITT Cannon</p>        | <p>page 1/1<br/>revision 377.3, Jul 16</p>  |