



Excellent Integrated System Limited

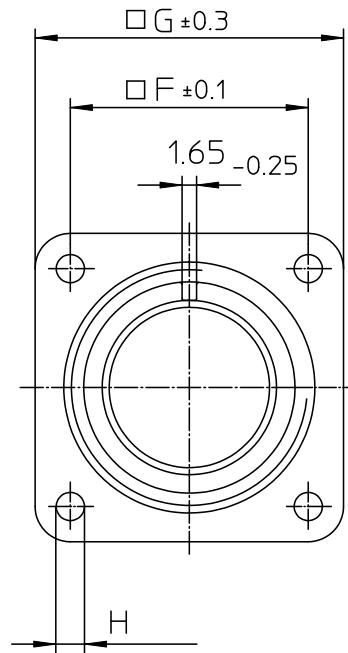
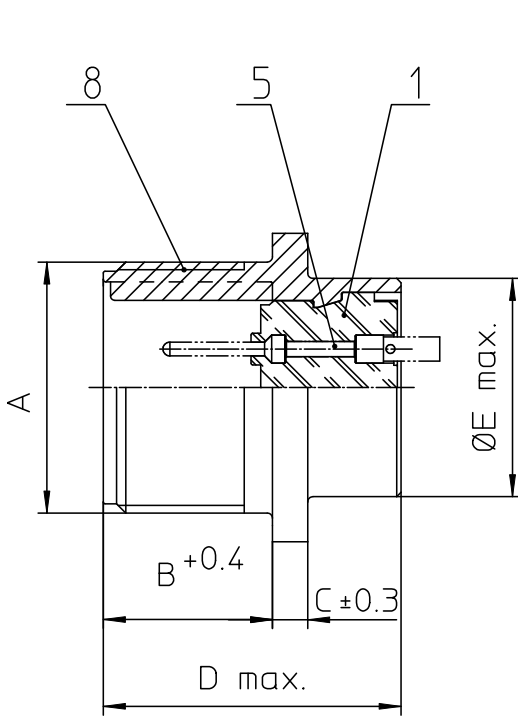
Stocking Distributor

Click to view price, real time Inventory, Delivery & Lifecycle Information:

[ITT Cannon, LLC](#)
[MS3102R20-3PW](#)

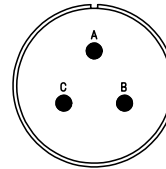
For any questions, you can email us directly:

sales@integrated-circuit.com




| NO. | MASSE / DIMENSION |
|-----|-------------------|
| A | 1 1/4-18NEF-2A |
| B | 19 |
| C | 4 |
| D | 34.2 |
| E | 29 |
| F | 29.4 |
| G | 38 |
| H | 3.1 |

| NO. | BESCHREIBUNG / DESCRIPTION |
|-----|-------------------------------------|
| 1 | ISOLIERKÖRPER STIFT / INSULATOR PIN |
| 5 | KONTAKTSTIFT / CONTACT PIN |
| 8 | DOSENGEHÄUSE / SHELL |



| |
|--|
| Note: Due to an automatic nomenclature system, numbers generated may not be sequential. |
| Specification and Dimensions subject to change Drawings illustrate normal insulator positioning |
| Material Specification: |
| Shell Material: Aluminium alloy |
| Shell Plating: Olive drab chromate coating over cadmium plating |
| Insulator Material: Neoprene |
| Contact Material: Copper alloy |
| Contact Plating: Hard silver |

| | |
|---|---|
| all dimensions are in mm Dimensions without tolerance indications are general tolerances in acc. with DIN7169m | drawing for CUSTOMER |
|  ITT <i>Engineered for life</i> <small>ITT CANNON GmbH D-73446 Weinstadt</small> | description MS3102R20-3PW Box mounting receptacle Solder Cup / Pin / Layout: 20-3 |
| <small>© All rights reserved. Reproduction or issue to third in any form without written permission of ITT Cannon</small> | page 1/1 revision 377.3, Jul 16 |