



Excellent Integrated System Limited

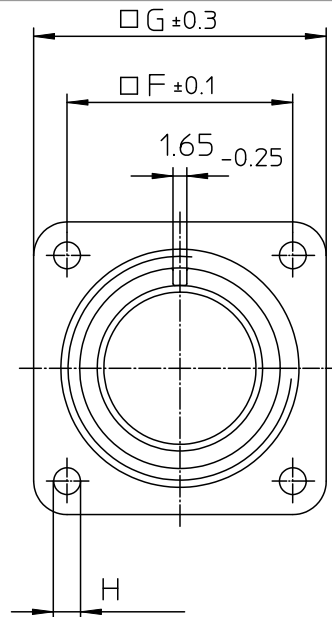
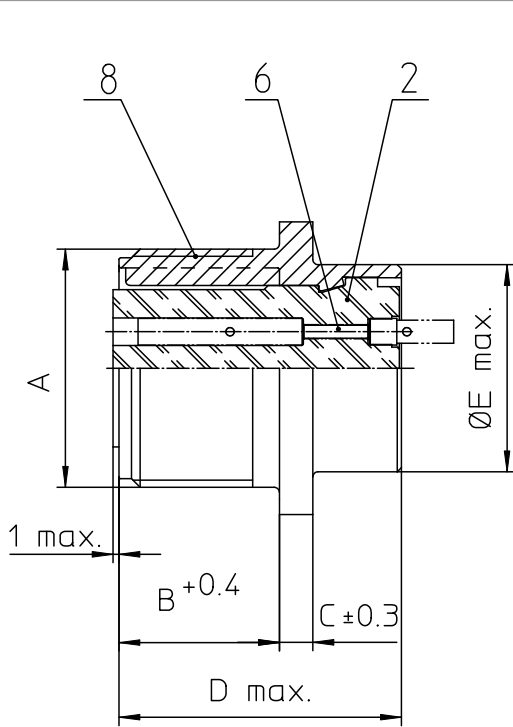
Stocking Distributor

Click to view price, real time Inventory, Delivery & Lifecycle Information:

[ITT Cannon, LLC](#)
[MS3102R22-2SY](#)

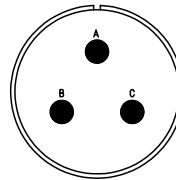
For any questions, you can email us directly:

sales@integrated-circuit.com




NO.	MASSE / DIMENSION
A	13/8-18NEF-2A
B	19
C	4
D	34.2
E	32.2
F	31.8
G	41
H	3.1

NO.	BESCHREIBUNG / DESCRIPTION
2	ISOLIERKÖRPER BUCHSE / INSULATOR SOCKET
6	KONTAKTBUCHSE / CONTACT SOCKET
8	DOSENGEHÄUSE / SHELL



Note: Due to an automatic nomenclature system, numbers generated may not be sequential.
Specification and Dimensions subject to change Drawings illustrate normal insulator positioning
Material Specification:
Shell Material: Aluminium alloy
Shell Plating: Olive drab chromate coating over cadmium plating
Insulator Material: Neoprene
Contact Material: Copper alloy
Contact Plating: Hard silver

all dimensions are in mm Dimensions without tolerance indications are general tolerances in acc. with DIN 7168m	drawing for CUSTOMER
 ITT <i>Engineered for life</i> <small>ITT CANON CORP 57164 Wiesbaden Germany</small>	description MS3102R22-2SY Box mounting receptacle Solder Cup / Socket / Layout: 22-2
<small>© All rights reserved. Reproduction or issue in any form without written authorization of ITT Cannon</small>	page 1/1 revision 377.3, Jul 16