



Excellent Integrated System Limited

Stocking Distributor

Click to view price, real time Inventory, Delivery & Lifecycle Information:

[BUD Industries, Inc.](#)
[V-9770-L](#)

For any questions, you can email us directly:
sales@integrated-circuit.com

PART NAME	SEE-THRU DOOR	PART No.	V-9770-L thru V-9776-L	REV. DATE	2-10-10
-----------	---------------	----------	------------------------	-----------	---------

MATERIAL:

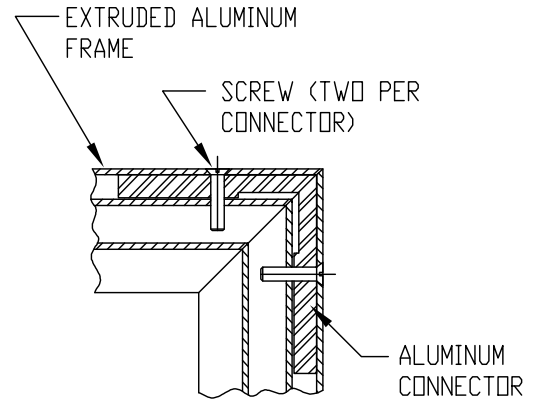
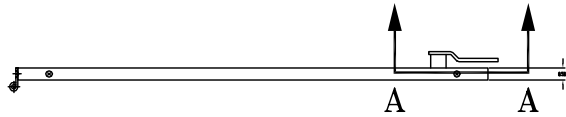
DOOR FRAME _____ ALUMINUM EXTRUSION
 DOOR PANEL _____ 0.187 THICK PLEXIGLAS
 WASHER _____ 20 GA. STAINLESS STEEL
 HINGES _____ 14 GA. STEEL
 STRIKER _____ 11 GA. STAINLESS STEEL

FINISH:

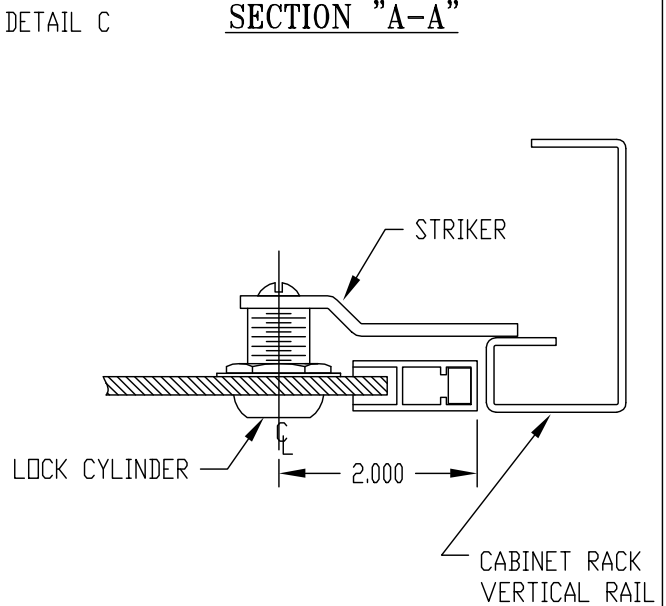
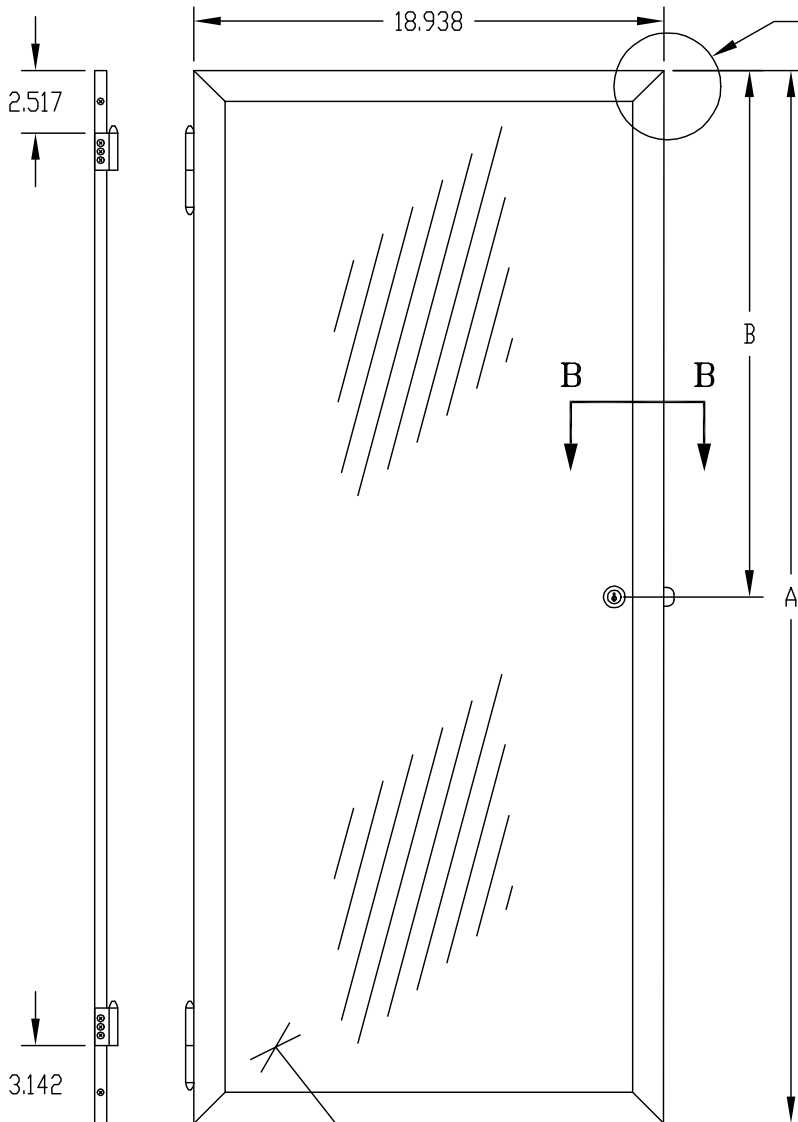
DOOR FRAME _____ CLEAR ANODIZED
 DOOR PANEL _____ SMOKE GRAY
 STRIKER, WASHER _____ NATURAL
 HINGES _____ METALLIC GRAY

DOOR:

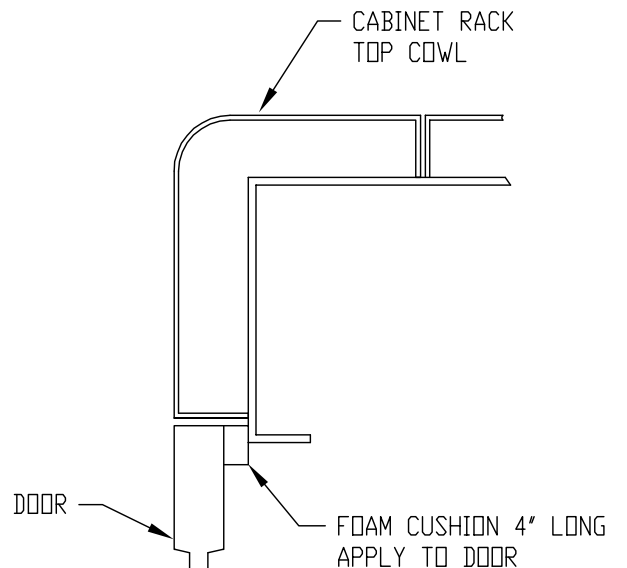
- CLEARS PANEL SPACE WHEN OPENED 90° OR MORE
- IS HELD CLOSED WITH LOCK
- FITS SERIES 60 UPRIGHT CABINET RACKS AND SERIES 2000 CABINET RACKS



SECTION "A-A"



SECTION "B-B"



NOTE: PROTECTIVE PAPER ON BOTH SIDES OF PLEXIGLAS

PART NO. LOCKING	HEIGHT A	B	RACK VERTICAL PANEL SPACE
------------------	----------	---	---------------------------