

## Excellent Integrated System Limited

Stocking Distributor

Click to view price, real time Inventory, Delivery & Lifecycle Information:

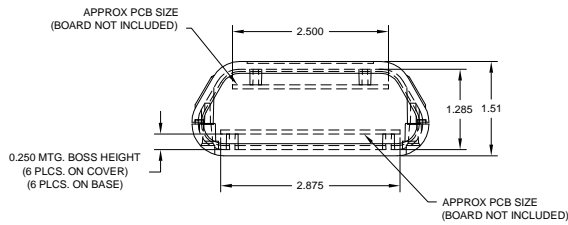
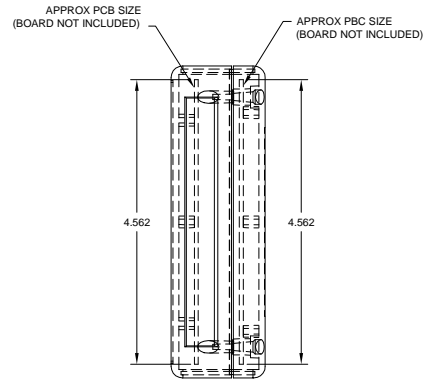
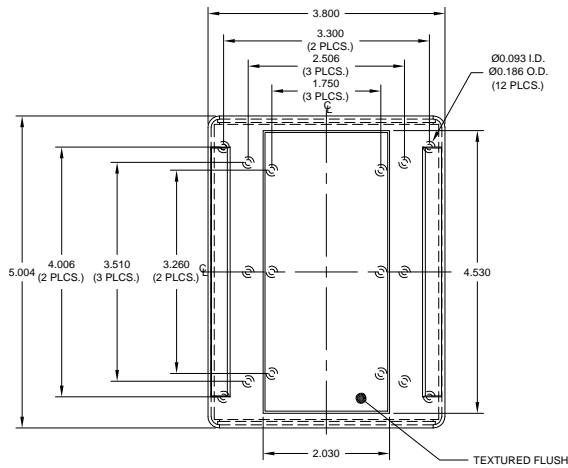
[BUD Industries, Inc.](#)

[PC-11535](#)

For any questions, you can email us directly:

[sales@integrated-circuit.com](mailto:sales@integrated-circuit.com)

DWG. NO.	PC-11535
ISSUE	REVISIONS



- NOTES:
- 1) PC BOARD BOSSES WILL ACCEPT A #4 X 1/4" THREAD FORMING SCREW
  - 2) MATERIAL: ABS - UL94-V0
  - 3) FINISH: BLACK TEXTURE
  - 4) INCLUDES (4) #4-24 X 5/8 HI-LOW THREAD FORMING, CSK, OVAL HEAD, PHILLIPS DRIVE SCREWS FOR ATTACHING BODY TO COVER (MAX TORQUE 4.5 IN-LBS)

TOLERANCES:		ITEM	REQ'D.	PART NO.	DESCRIPTION
#205	BETWEEN HOLE CENTERS	MAT.	AS NOTED	SCALE:	NAME:
#205	FROM SHEARED EDGE	FINISH	SEE SPEC.		
#226	FROM A BENT SURFACE	DR.	DP	3-24-05	
#353	BETWEEN ASSEMBLED SURFACES	CH.			
	UNLESS OTHERWISE SPECIFIED	APP.			
QTY.	USED ON			BUD INDUSTRIES, INC.	PLASTICASE STYLE G
				WILLOUGHBY, OHIO	DWG. NO. PC-11535