

Excellent Integrated System Limited

Stocking Distributor

Click to view price, real time Inventory, Delivery & Lifecycle Information:

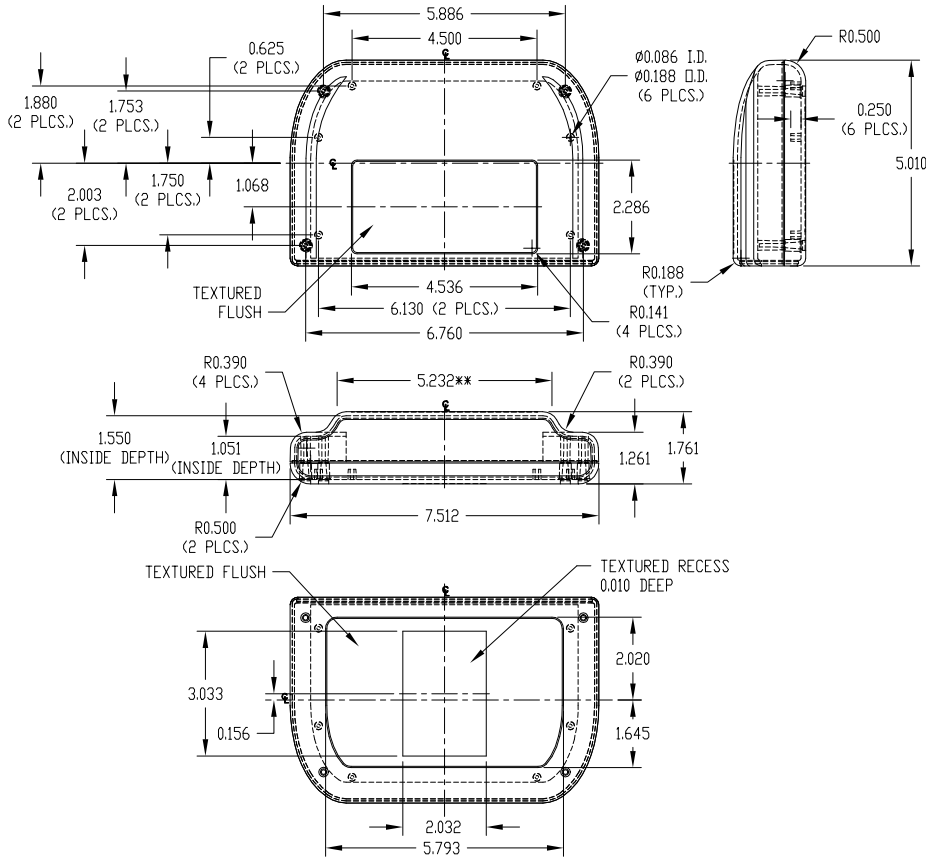
[BUD Industries, Inc.](#)

[PT-11785](#)

For any questions, you can email us directly:

sales@integrated-circuit.com

PART NAME	PLASTIBOX (STYLE 1)	PART No.	PT-11785	REV. DATE	10-4-11
-----------	---------------------	----------	----------	-----------	---------



- NOTES:
- 1) PC BOARD BOSSES WILL ACCEPT A #4 X 1/4" THREAD FORMING SCREW
 - 2) MATERIAL: ABS - UL94-5VA
 - 3) FINISH: BLACK TEXTURE
 - 4) DIMENSIONS ARE TO THEORETICAL SHARP CORNERS.
 - 5) INCLUDES (4) #4-24 x 1.0 HI-LOW THREAD FORMING, CSK, OVAL HEAD, PHILLIPS DRIVE SCREWS FOR ATTACHING BODY TO COVER (MAX TORQUE 4.5 IN-LBS)

