

## Excellent Integrated System Limited

Stocking Distributor

Click to view price, real time Inventory, Delivery & Lifecycle Information:

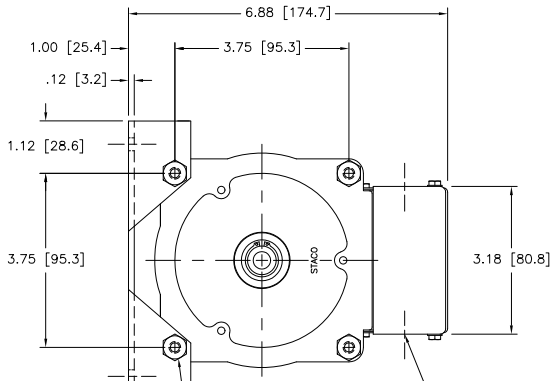
[Staco Energy Products Co.](#)  
[1220BCT-2](#)

For any questions, you can email us directly:

[sales@integrated-circuit.com](mailto:sales@integrated-circuit.com)

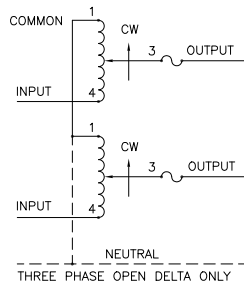
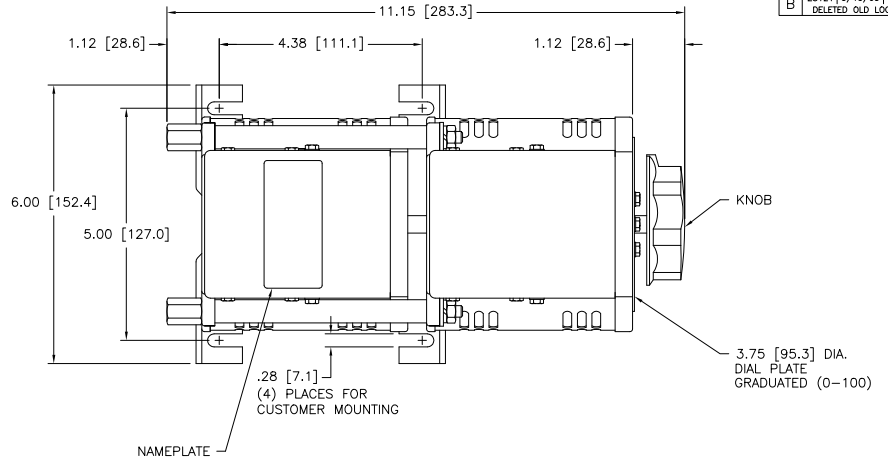
REV.	DATE	BY	APP.
A	24194 4/23/00		
B	25121 5/13/03		

031-3318  
DELETED BLIND HOLES  
DELETED OLD LOGO



(4) STANDOFFS TAPPED  
1/4-28 X .38 [9.5] DEEP  
FOR MOUNTING BOLTS

.88 [22.2] DIA. KNOCKOUT  
(5) PLACES FOR  
WIRING CONNECTIONS



SCHEMATIC  
THREE PHASE OPEN DELTA AND SINGLE  
PHASE SERIES. FUSE RECOMMENDED BUT  
NOT SUPPLIED.

- π IF GANGED UNITS ARE USED IN A SYSTEM THAT ORDINARILY HAS A COMMON NEUTRAL OR GROUND BETWEEN SOURCE AND LOAD, THE NEUTRAL OR GROUND MUST BE CONNECTED TO THE COMMON TERMINALS OF THE VARIABLE TRANSFORMER ASSEMBLY. IF THE SYSTEM HAS NO NEUTRAL, THE LOAD MUST BE BALANCED OR THE TRANSFORMER WILL BE DAMAGED.
- JUMPER PROVIDED IN STANDARD COMMON POSITION AND SHOULD BE MOVED OR REMOVED AS REQUIRED.
- ++ LINE TO LINE VOLTAGE.

WIRING	SPECIFICATIONS								TERMINAL CONNECTIONS		
	INPUT		OUTPUT				SHAFT ROTATION TO INCREASE VOLTAGE	FOR INCREASING VOLTAGE AS VIEWED FROM BASE END ■			
	VOLTS	HERTZ	VOLTS	CONSTANT CURRENT LOAD MAX. AMPS	CONSTANT IMPEDANCE LOAD MAX. KVA	MAX. AMPS		MAX. KVA	INPUT	JUMPER	OUTPUT
SINGLE PHASE SERIES	480	60	0-480	5.0	2.40	7.0	3.36	CW	1-1	4-4	3-3
THREE PHASE OPEN DELTA π	240	60	0-240	5.0	2.08	7.0	2.91	CCW	4-4	1-1	3-3
								CW	1-4-1	4-4	3-4-3
								CCW	4-1-4	1-1	3-1-3

THIS SPEC. CONTROL DRAWING VARIABLE TRANSFORMER MODEL: 1220BCT-2

DESIGNED BY: S.A. SMITH DATE: 9/26/97

REVISED BY: DATE: 8/25/98

ISSUED BY: DATE: 8/25/98

SCALE: 1=1

FIG. NO. D 031-3318

**STACO ENERGY PRODUCTS CO.**  
Manufacturers of Variable Transformers