

## Excellent Integrated System Limited

Stocking Distributor

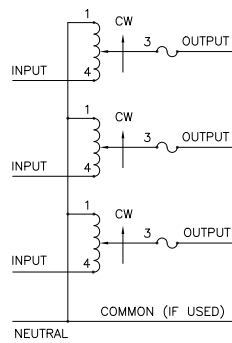
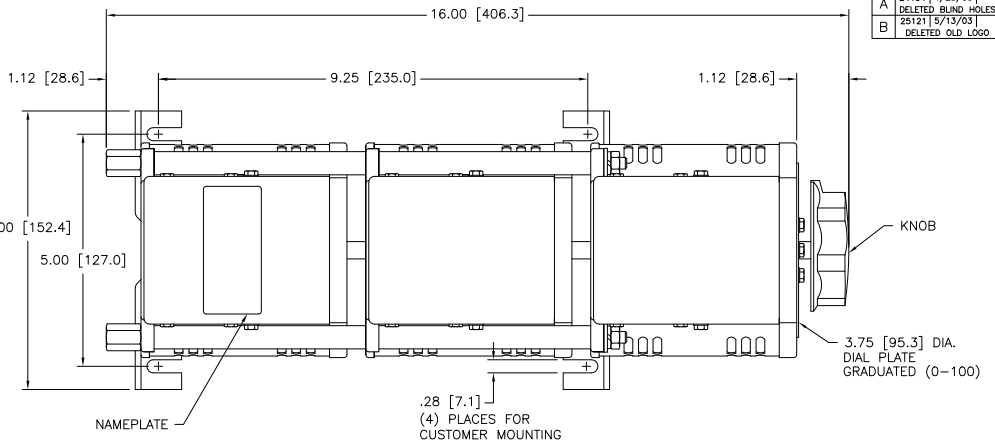
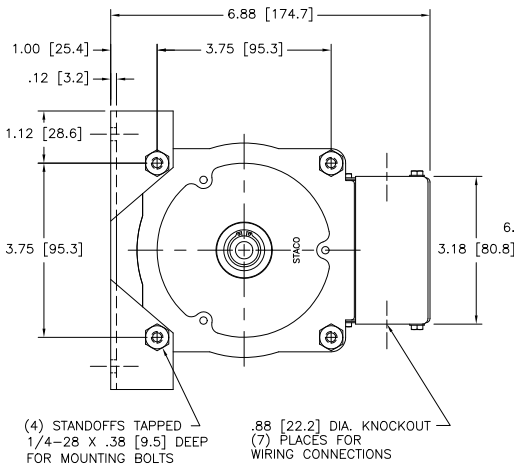
Click to view price, real time Inventory, Delivery & Lifecycle Information:

[Staco Energy Products Co.](#)  
[1220BCT-3](#)

For any questions, you can email us directly:

[sales@integrated-circuit.com](mailto:sales@integrated-circuit.com)

REV. NO. 031-3328			
REVISIONS			
REV.	DATE	BY	APP.
A	24194 4/23/00		
B	25121 5/13/03		
DELETED BLIND HOLES			
DELETED OLD LOGO			



SCHEMATIC  
FUSE RECOMMENDED BUT NOT SUPPLIED

- ⌘ IF GANGED UNITS ARE USED IN A SYSTEM THAT ORDINARILY HAS A COMMON NEUTRAL OR GROUND BETWEEN SOURCE AND LOAD, THE NEUTRAL OR GROUND MUST BE CONNECTED TO THE COMMON TERMINALS OF THE VARIABLE TRANSFORMER ASSEMBLY. IF THE SYSTEM HAS NO NEUTRAL, THE LOAD MUST BE BALANCED OR THE TRANSFORMER WILL BE DAMAGED.
- JUMPER PROVIDED IN STANDARD COMMON POSITION AND SHOULD BE MOVED OR REMOVED AS REQUIRED.
- ++ LINE TO LINE VOLTAGE.

WIRING	SPECIFICATIONS						SHAFT ROTATION TO INCREASE VOLTAGE	TERMINAL CONNECTIONS			
	INPUT		OUTPUT		CONSTANT IMPEDANCE LOAD	FOR INCREASING VOLTAGE AS VIEWED FROM BASE END ■		INPUT	JUMPER	OUTPUT	
	VOLTS	HERTZ	VOLTS	CONSTANT CURRENT LOAD							
THREE PHASE WYE ⌘	480	60	0-480	5.0	4.16	7.0	5.82	CW	1-1-1	4-4-4	3-3-3
++								CCW	4-4-4	1-1-1	3-3-3

THIS SPEC. CONTROL DRAWING VARIABLE TRANSFORMER MODEL: 1220BCT-3

DESIGNED BY S.A. SMITH 9/26/97

DATE 9/26/97

SCALE 3/4" = 1"

FIG. NO. 031-3328

REV. 1 OF 1

**STACO ENERGY PRODUCTS CO.**  
Manufacturing Dept. 1220BCT-3