

Excellent Integrated System Limited

Stocking Distributor

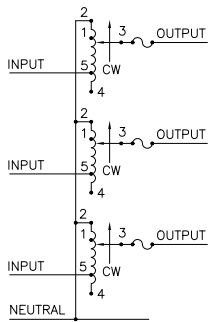
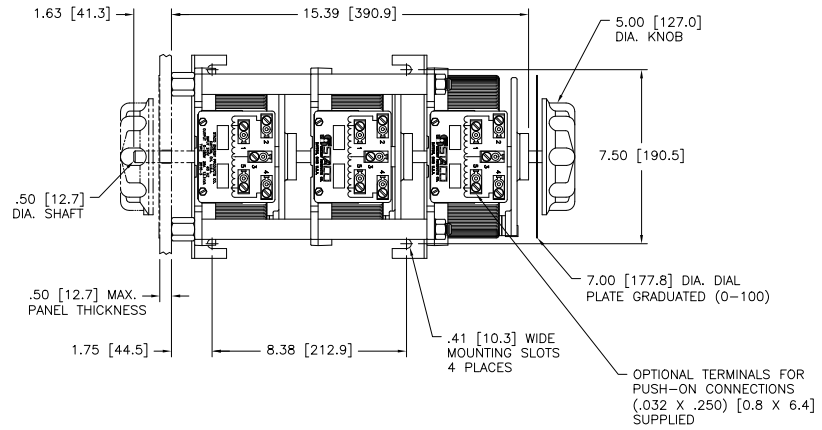
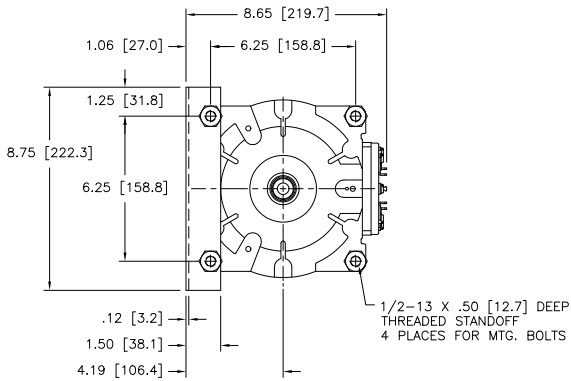
Click to view price, real time Inventory, Delivery & Lifecycle Information:

[Staco Energy Products Co.](#)
[2510-3](#)

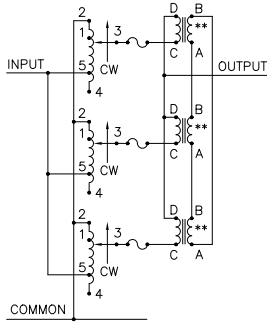
For any questions, you can email us directly:

sales@integrated-circuit.com

REV.	DATE	BY	CHKD.	APP.
A	24459 12/28/00			
REDRAWN ON CAD				



SCHEMATIC
THREE PHASE WYE
FUSE RECOMMENDED BUT
NOT SUPPLIED.



SCHEMATIC
SINGLE PHASE PARALLEL
FUSE RECOMMENDED BUT
NOT SUPPLIED.

++ LINE TO LINE VOLTAGE.

** REQUIRES THREE 51LAC PARALLELING CHOKES (NOT SUPPLIED).

⌈ IF GANGED UNITS ARE USED IN A SYSTEM THAT ORDINARILY HAS A COMMON NEUTRAL OR GROUND BETWEEN SOURCE AND LOAD, THE NEUTRAL OR GROUND MUST BE CONNECTED TO THE COMMON TERMINALS OF THE VARIABLE TRANSFORMER ASSEMBLY. IF THE SYSTEM HAS NO NEUTRAL, THE LOAD MUST BE BALANCED OR THE TRANSFORMER WILL BE DAMAGED.

■ JUMPER PROVIDED IN STANDARD COMMON POSITION AND SHOULD BE REMOVED OR REMOVED AS REQUIRED.

SPECIFICATIONS										
WIRING	INPUT		OUTPUT				SHAFT ROTATION TO INCREASE VOLTAGE	TERMINAL CONNECTIONS FOR INCREASING VOLTAGE AS VIEWED FROM BASE END		
	VOLTS	HERTZ	VOLTS	CONSTANT CURRENT LOAD	CONSTANT IMPEDANCE LOAD	MAX. KVA		INPUT	JUMPER	OUTPUT
SINGLE PHASE PARALLEL **	120	50/60	0-120	75	9.00	90	10.8	CW	2-2-2, 4-4-4	4-D
			0-140	75	10.50	—	—	CW	1-1-1, 4-4-4	4-D
THREE PHASE WYE ⌈	240	50/60	0-240	25	10.40	30	12.5	CW	2-2-2	4-4-4 3-3-3
			0-280	25	12.10	—	—	CW	1-1-1	4-4-4 3-3-3
								CW	5-5-5, 2-2-2	2-D

DESIGNER	DATE	REV.	BY	DATE	REV.	BY	DATE	REV.	BY	DATE
S.A. SMITH	12/28/00									

STACO ENERGY PRODUCTS CO. DAYTON, OHIO U.S.A.