

Excellent Integrated System Limited

Stocking Distributor

Click to view price, real time Inventory, Delivery & Lifecycle Information:

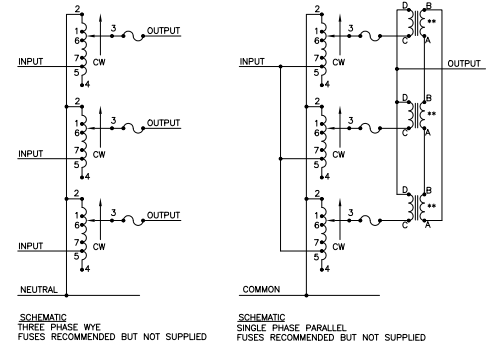
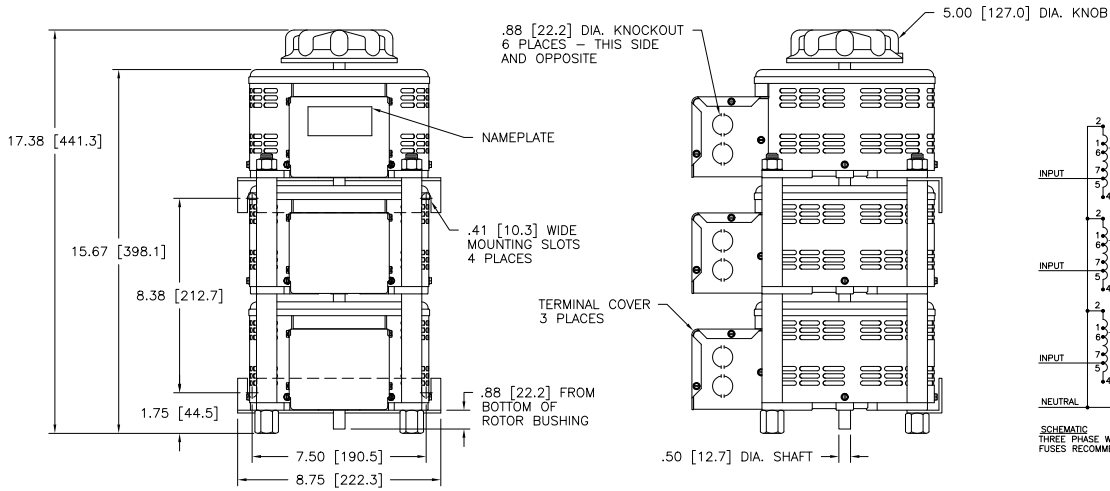
[Staco Energy Products Co.](#)
[2520CT-3](#)

For any questions, you can email us directly:

sales@integrated-circuit.com

REV.	NO.	DATE	BY	CHKD.
B	25902	12/22/98		

031-5525
REDRAWN ON CAD



NOTE:
UNIT IS SUPPLIED WITH A 7.00 [177.8] DIA. 0-100 GRADUATED DIAL PLATE FOR PANEL MOUNTING.

SPECIFICATIONS										
WIRING	INPUT		OUTPUT				SHAFT ROTATION TO INCREASE VOLTAGE	TERMINAL CONNECTIONS FOR INCREASING VOLTAGE AS VIEWED FROM BASE END		
	VOLTS	HERTZ	CONSTANT CURRENT LOAD	CONSTANT IMPEDANCE LOAD	MAX. AMPS	MAX. KVA		INPUT	JUMPER	OUTPUT
SINGLE PHASE PARALLEL **	240	50/60	0-240	30	7.20	39	9.30	CW	2-2-2, 4-4-4	4-D
			0-280	30	8.40	—	—	CW	1-1-1, 4-4-4	4-D
THREE PHASE WYE **	480	50/60	0-480	10	8.30	13	10.81	CW	4-4-4	2-2-2 3-3-3
			0-560	10	9.70	—	—	CW	1-1-1	4-4-4 3-3-3
			0-560	10†	9.70	—	—	CW	5-5-5	2-2-2 3-3-3
			0-560	10‡	4.20‡	—	—	CW	7-7-7	4-4-4 3-3-3
THREE PHASE WYE **	240	60	0-240	30#	3.60‡	—	—	CW	6-6-6, 2-2-2	2-D
			0-280	30	—	—	—	CW	2-2-2	4-4-4 3-3-3

† MAXIMUM OUTPUT CURRENT IN OUTPUT VOLTAGE RANGE FROM 0 TO 25% ABOVE LINE VOLTAGE. AT HIGHER OUTPUT VOLTAGES, THE OUTPUT CURRENT MUST BE REDUCED ACCORDING TO THE DERATING CURVE FIGURE A.

‡ MAXIMUM KVA AT MAXIMUM OUTPUT VOLTAGE AND CORRESPONDING DERATED OUTPUT CURRENT. MAXIMUM KVA FOR LOWER VOLTAGES MAY BE CALCULATED FROM DERATING CURVE FIGURE A.

++ REQUIRES THREE 52LAC PARALLELING CHOKES (NOT SUPPLIED).

†† IF GANGED UNITS ARE USED IN A SYSTEM THAT ORDINARILY HAS A COMMON NEUTRAL OR GROUND BETWEEN SOURCE AND LOAD, THE NEUTRAL OR GROUND MUST BE CONNECTED TO THE COMMON TERMINALS OF THE VARIABLE TRANSFORMER ASSEMBLY. IF THE SYSTEM HAS NO NEUTRAL, THE LOAD MUST BE BALANCED OR THE TRANSFORMER WILL BE DAMAGED.

‡ JUMPER PROVIDED IN STANDARD COMMON POSITION AND SHOULD BE MOVED OR REMOVED AS REQUIRED.

