

Excellent Integrated System Limited

Stocking Distributor

Click to view price, real time Inventory, Delivery & Lifecycle Information:

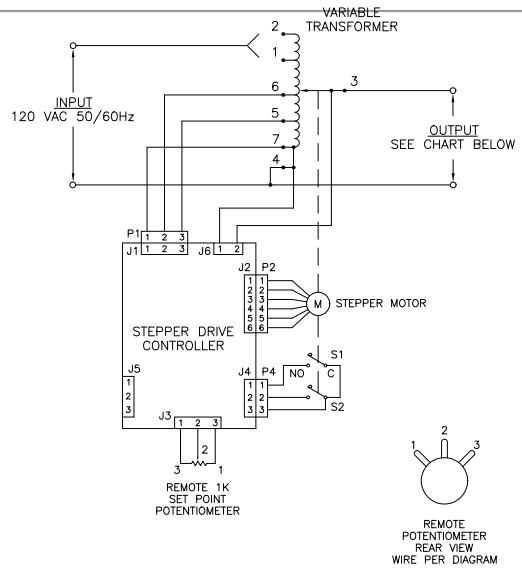
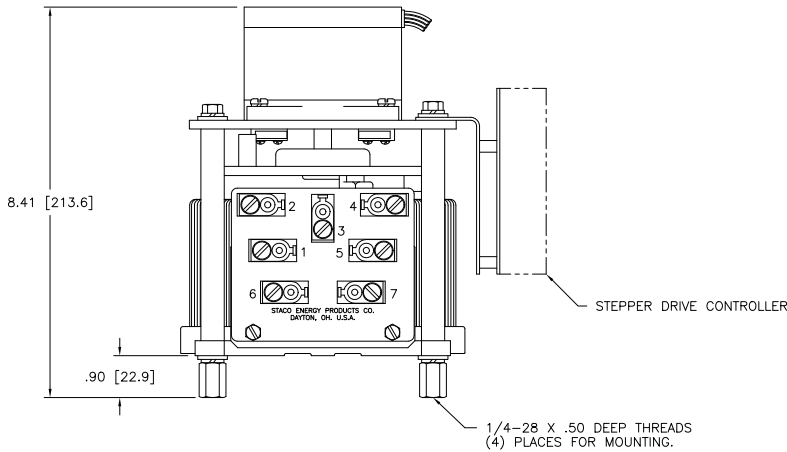
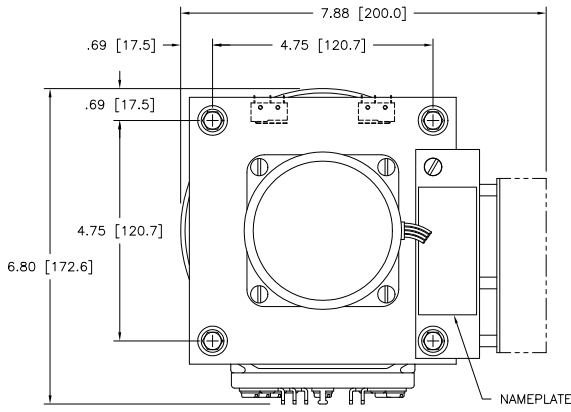
[Staco Energy Products Co.](#)
[SD1510](#)

For any questions, you can email us directly:

sales@integrated-circuit.com

REV.	NO.	DATE	BY	APP.
A	24028	8/18/99		

095-1804
CLARIFIED SVDC NOTE



SET POINT ADJUSTMENT:
THE OUTPUT SET POINT MAY BE ADJUSTED WITH THE REMOTE 1K POTENTIOMETER PROVIDED OR WITH A 0-5 VDC SIGNAL TO THE J3 CONNECTOR ON THE STEPPER DRIVE CONTROL. MAKE CONNECTIONS TO J3-2(+) & J3-3(-). A NOMINAL +5 VDC SETPOINT SUPPLY IS AVAILABLE AT J3-1 (ADJUSTABLE AT TRIMPOT R22).

WIRING	SPECIFICATIONS						TERMINAL CONNECTIONS		
	INPUT		OUTPUT				INPUT	OUTPUT	
	VOLTS	HERTZ	VOLTS	CONSTANT CURRENT LOAD	CONSTANT IMPEDANCE LOAD				
SINGLE PHASE	120	50/60	0-120	MAX. AMPS	MAX. KVA	MAX. AMPS	MAX. KVA	2-4	4-3
			0-140	15	1.80	20	2.40	1-4	4-3

STACO ENERGY PRODUCTS CO. DAYTON, OH, U.S.A.

DATE	12/7/95	DESIGNER	S.A. SMITH
SCALE	1=1	DATE	12/7/95
REV.	D	NO.	095-1804