

## Excellent Integrated System Limited

Stocking Distributor

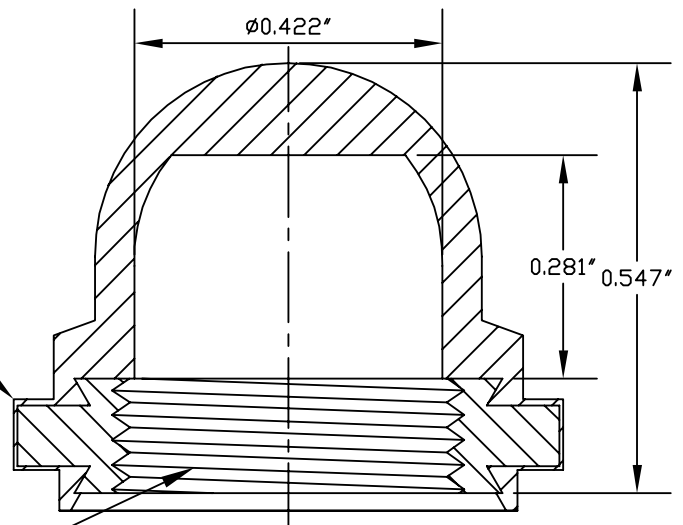
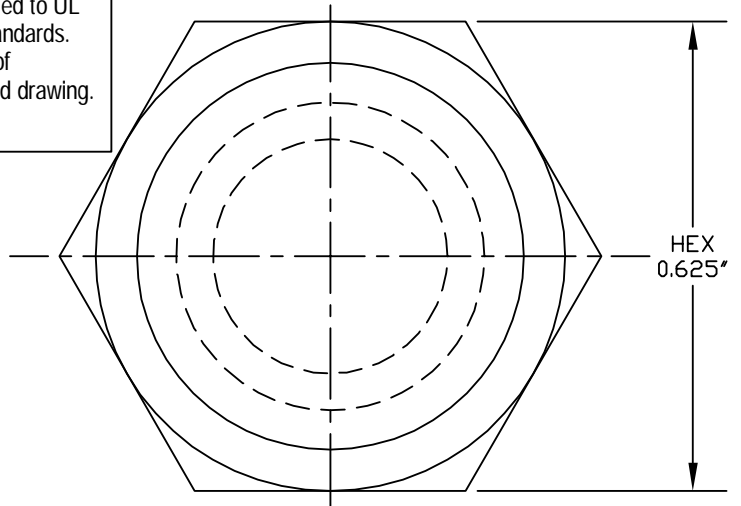
Click to view price, real time Inventory, Delivery & Lifecycle Information:

[APM Hexseal](#)  
[C1231/41](#)

For any questions, you can email us directly:  
[sales@integrated-circuit.com](mailto:sales@integrated-circuit.com)

**SPECIFICATIONS**

**Material:** E-SEELS -- Silicone rubber polymer type ASTM D 1418  
**Mounting Nut:** E-SEELS: Brass, black-oxide  
**Temperature Range:** E-SEELS: -80°F to +400°F  
**Pressure Range:** Exceeds 15 psi internal and 1500 psi external.  
**Operational Life:** 50,000 actuations (minimum).  
**Shelf Life:** Excess of 25 years.  
**Resistant to:** Salt spray, sunlight, ozone, weather, fungus, and most acids and lubricating oils  
**Agency Recognition:** E-SEELS and HEXSEALS are UL-listed to UL Std. 50 types 1-13, and meet CSA standards.  
**Installation:** If a reducing adaptor is required - see page 14 of HEXSEAL catalog HEX200 for part numbers and drawing.



15/32-32NS-2B

J	REDRAWN	S. GOK	09.29.09	
I	CAD COMPUTER GENERATED		09.23.02	
H	UPDATED, ADDED ORDER NUMBERS, DWG NO. WAS 12/31/SERIES	W.P.	11.24.76	
G	UPDATED	R.C.	08.04.74	
F	REDRAWN	TONY C.	12.11.69	
REV.	DESCRIPTION		DATE	
MAXIMUM AND MINIMUM MEASUREMENTS ARE STATED DIRECTLY ON EACH DIMENSION.	APM-HEXSEAL CORPORATION	ENG.	M. MORSE	01.21.60
		DWN.	S. GOK	09.29.09
		CHKD.	J. CELLA	09.29.09
MAT'L: SILICONE RUBBER ASTM D 1418		SCALE	DWG. NO.	(C1231/41) E-SEEL®
FINISH: BLACK		4 : 1		

THIS DRAWING COVERS PROPRIETARY ITEM AND IS THE PROPERTY OF THE APM-HEXSEAL CORPORATION.  
 THIS DRAWING IS NOT TO BE COPIED OR USED WITHOUT THE WRITTEN APPROVAL OF AN OFFICER OF THE APM-HEXSEAL CORPORATION.