

Excellent Integrated System Limited

Stocking Distributor

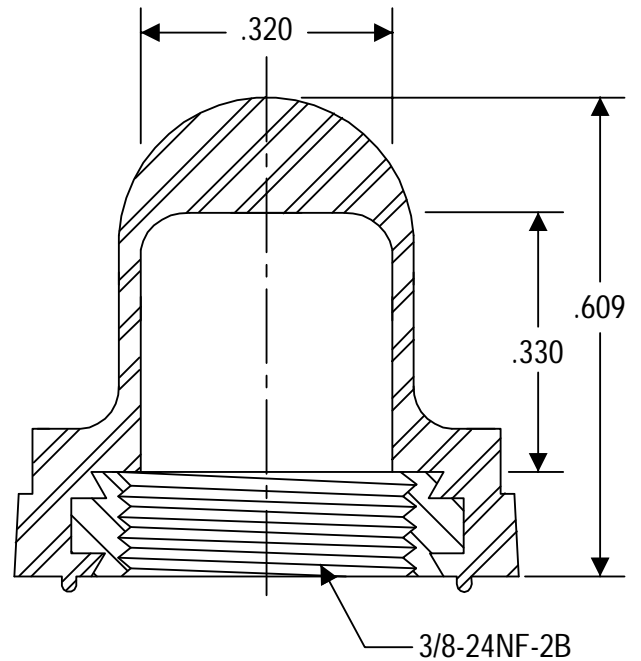
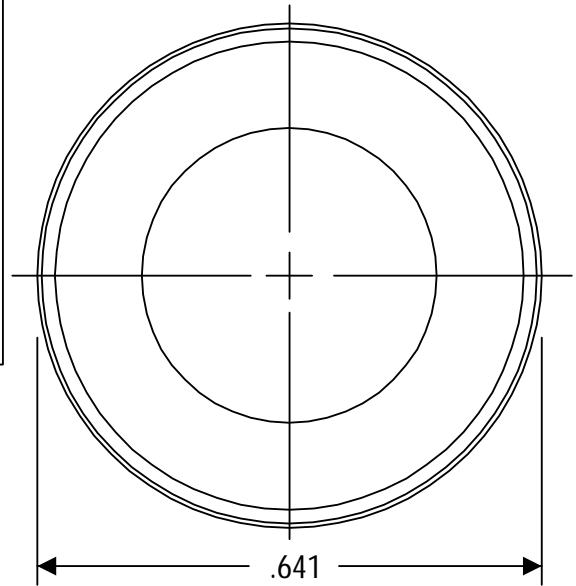
Click to view price, real time Inventory, Delivery & Lifecycle Information:

[APM Hexseal](#)
[C1221/22 4](#)

For any questions, you can email us directly:
sales@integrated-circuit.com

SPECIFICATIONS

Material: E-SEELS -- Silicone rubber polymer type ASTM D 1418
Mounting Nut: E-SEELS: ALUMINUM INSERT
Temperature Range: E-SEELS: -80°F to +400°F
Pressure Range: Exceeds 15 psi internal and 1500 psi external.
Operational Life: 50,000 actuations (minimum).
Shelf Life: Excess of 25 years.
Resistant to: Salt spray, sunlight, ozone, weather, fungus, and most acids and lubricating oils
Agency Recognition: E-SEELS and HEXSEALS are UL-listed to UL Std. 50 types 1-13, and meet CSA standards.
Installation: If a reducing adaptor is required - see page 14 of HEXSEAL catalog HEX200 for part numbers and drawing.



| | | | | |
|---|-------------|-------------------------|----------------------------|-----------------------|
| A | | CAD COMPUTER GENERATED | | 9-23-02 |
| REV. | DESCRIPTION | | | DATE |
| MAXIMUM AND MINIMUM MEASUREMENTS ARE STATED DIRECTLY ON EACH DIMENSION. | | TITLE: | BOOT-PLUNGER (C1221/22) | ENG. |
| MAT'L: SILICONE RUBBER ASTM D 1418 | | | | DWN. CARBONE |
| FINISH: CLEAR | | APM-HEXSEAL CORPORATION | SCALE 4 : 1 | CHKD. NICK 5-13-69 |
| | | | DWG. NO. | (C1221/22) E-SEEL® |

THIS DRAWING COVERS PROPRIETARY ITEM AND IS THE PROPERTY OF THE APM-HEXSEAL CORPORATION.
 THIS DRAWING IS NOT TO BE COPIED OR USED WITHOUT THE WRITTEN APPROVAL OF AN OFFICER OF THE APM-HEXSEAL CORPORATION.