

SPECIFICATIONS

Material: HEXSEALS: Silicone rubber conforms to A-A-59588 Class 3, GR 50 unless otherwise specified.

Mounting Nut: HEXSEALS: Brass, nickel-plated (unless otherwise noted)

Temperature Range: HEXSEALS: -94°F to +400°F

Pressure Range: Exceeds 15 psi internal and 1500 psi external.

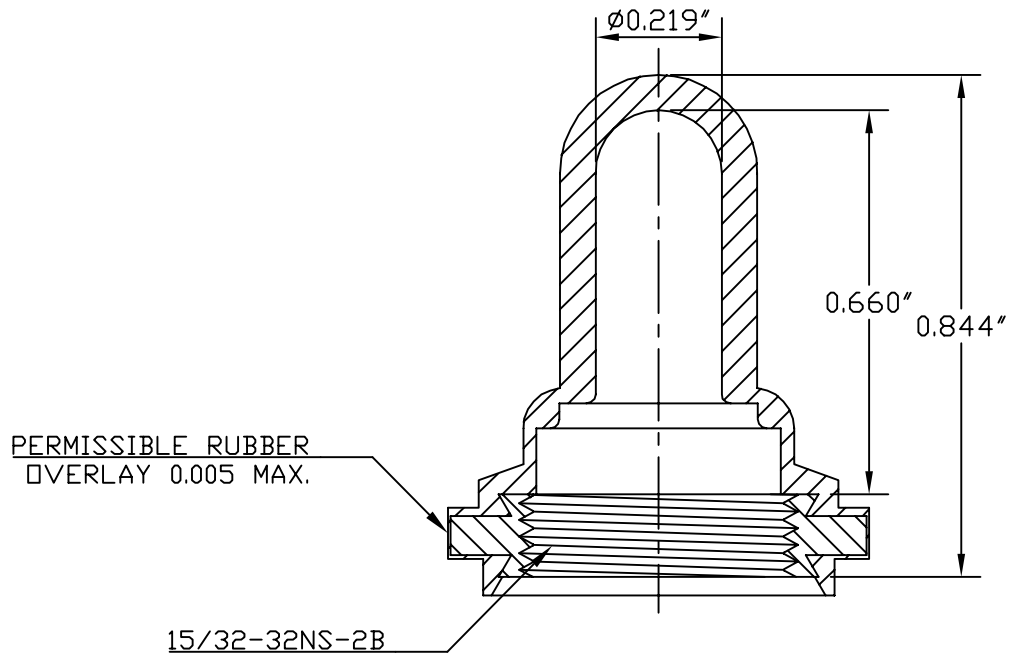
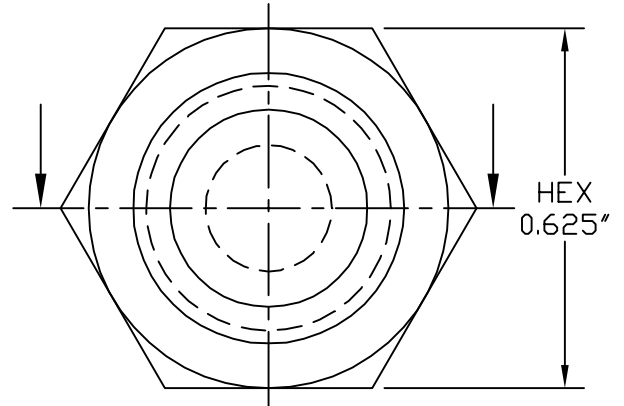
Operational Life: 50,000 actuations (minimum).

Shelf Life: Excess of 25 years.

Resistant to: Salt spray, sunlight, ozone, weather, fungus, and most acids and lubricating oils

Agency Recognition: E-SEELS and HEXSEALS are UL-listed to UL Std. 50 types 1-13, and meet CSA standards.

Installation: If a reducing adaptor is required - see page 14 of HEXSEAL catalog HEX200 for part numbers and drawing.



D	MAT'L CHANGED and REDRAWN		S. GOK	08.19.09
C	CAD COMPUTER GENERATED			09.23.02
B	REDRAWN			09.12.74
REV.	DESCRIPTION			DATE
MAXIMUM AND MINIMUM MEASUREMENTS ARE STATED DIRECTLY ON EACH DIMENSION.		TITLE: BOOT, TOGGLE, SWITCH (IN-1030)	ENG. M.M.	12.07.57
MAT'L: Silicone Rubber			DWN. J. PALUMBO	12.07.57
A-A-59588, Gr.50			CHKD. J. CELLA	08.19.09
FINISH: GRAY		APM-HEXSEAL CORPORATION	SCALE 3:1	DWG. NO. (IN-1030) HEXSEAL®

THIS DRAWING COVERS PROPRIETARY ITEM AND IS THE PROPERTY OF THE APM-HEXSEAL CORPORATION. THIS DRAWING IS NOT TO BE COPIED OR USED WITHOUT THE WRITTEN APPROVAL OF AN OFFICER OF THE APM-HEXSEAL CORPORATION.