

Excellent Integrated System Limited

Stocking Distributor

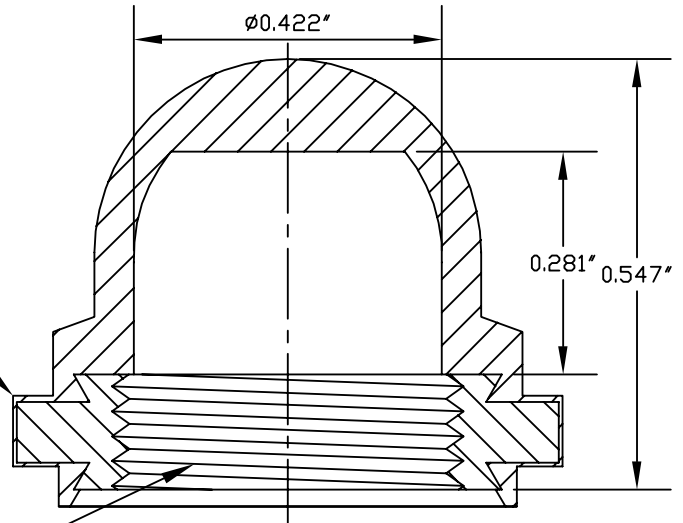
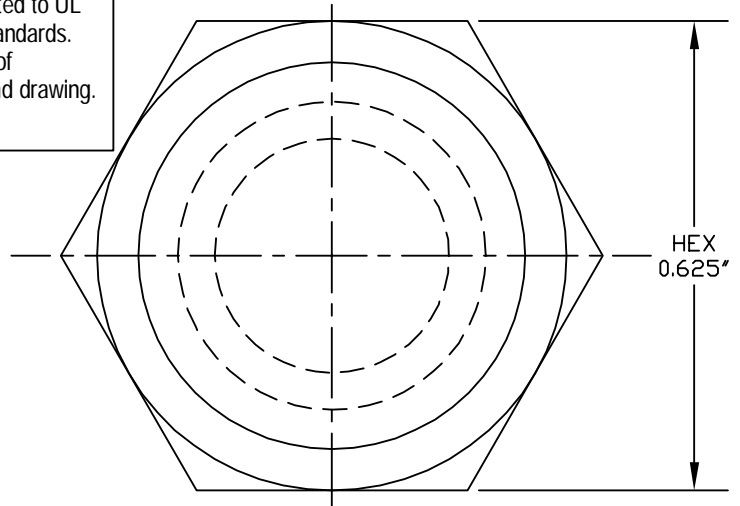
Click to view price, real time Inventory, Delivery & Lifecycle Information:

[APM Hexseal](#)
[C1231/42](#)

For any questions, you can email us directly:
sales@integrated-circuit.com

SPECIFICATIONS

Material: E-SEELS -- Silicone rubber polymer type ASTM D 1418
Mounting Nut: E-SEELS: Brass, black-oxide
Temperature Range: E-SEELS: -80°F to +400°F
Pressure Range: Exceeds 15 psi internal and 1500 psi external.
Operational Life: 50,000 actuations (minimum).
Shelf Life: Excess of 25 years.
Resistant to: Salt spray, sunlight, ozone, weather, fungus, and most acids and lubricating oils
Agency Recognition: E-SEELS and HEXSEALS are UL-listed to UL Std. 50 types 1-13, and meet CSA standards.
Installation: If a reducing adaptor is required - see page 14 of HEXSEAL catalog HEX200 for part numbers and drawing.



15/32-32NS-2B

J	REDRAWN		S. GOK	09.29.09
I	CAD COMPUTER GENERATED			09.23.02
H	UPDATED, ADDED ORDER NUMBERS, DWG NO. WAS 12/31/SERIES		W.P.	11.24.76
G	UPDATED		R.C.	08.04.74
F	REDRAWN		TONY C.	12.11.69
REV.	DESCRIPTION			DATE
	MAXIMUM AND MINIMUM MEASUREMENTS ARE STATED DIRECTLY ON EACH DIMENSION.	TITLE: BOOT, PUSH BUTTON SWITCH (C1231/41)	ENG. M. MORSE	01.21.60
			DWN. S. GOK	09.29.09
			CHKD. J. CELLA	09.29.09
	MAT'L: SILICONE RUBBER ASTM D 1418	APM-HEXSEAL CORPORATION	SCALE 4 : 1	DWG. NO. (C1231/41) E-SEEL®
	FINISH: BLACK			

THIS DRAWING COVERS PROPRIETARY ITEM AND IS THE PROPERTY OF THE APM-HEXSEAL CORPORATION.
 THIS DRAWING IS NOT TO BE COPIED OR USED WITHOUT THE WRITTEN APPROVAL OF AN OFFICER OF THE APM-HEXSEAL CORPORATION.