

## Excellent Integrated System Limited

Stocking Distributor

Click to view price, real time Inventory, Delivery & Lifecycle Information:

[Ledi](#)

[C12868\\_FLARE-MAXI](#)

For any questions, you can email us directly:

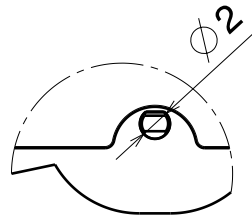
[sales@integrated-circuit.com](mailto:sales@integrated-circuit.com)

D

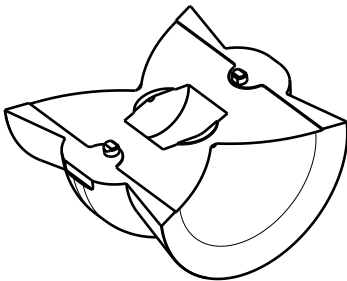
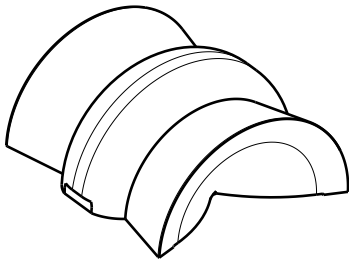
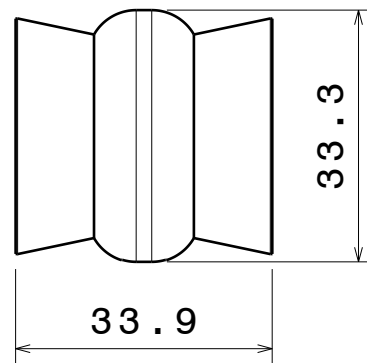
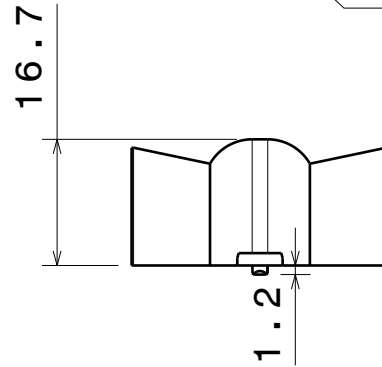
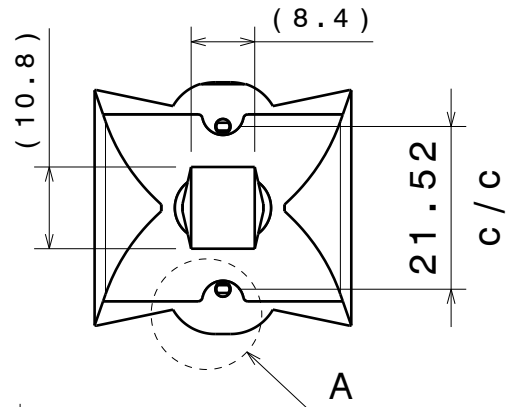
C

B

A



Detail A  
Scale: 2:1



Material: PMMA

Tolerances for dimensions:

0-20mm tolerance value  $\pm 0.1$ mm

21-45mm tolerance value  $\pm 0.2$ mm

46-90mm tolerance value  $\pm 0.3$ mm

91-100mm tolerance value  $\pm 0.4$ mm

101-mm tolerance value  $\pm 0.5$ mm

This drawing is our property.  
It can't be reproduced  
or communicated without  
our written agreement.



Ledil Oy  
Salorankatu 10  
FIN 24240 SALO  
Finland

DRAWING TITLE

Datasheet FLARE-MAXI Lens

DRAWN BY

pv

DATE

18.4.2012

CHECKED BY

sn

DATE

17.4.2012

SIZE

A4

DRAWING NUMBER

C12868

REV

1

DESIGNED BY

DATE

SCALE 1:1 WEIGHT (g)

SHEET 1/1

4

3

2

1

4

3

2

1