

Excellent Integrated System Limited

Stocking Distributor

Click to view price, real time Inventory, Delivery & Lifecycle Information:

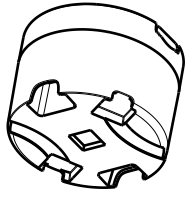
[Ledi](#)

[CP11634_LXP3-O-90](#)

For any questions, you can email us directly:

sales@integrated-circuit.com

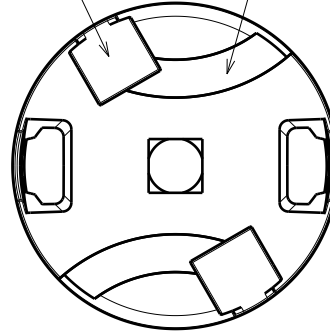
4



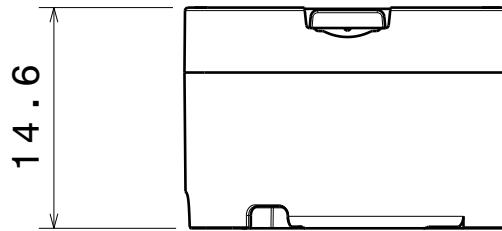
Isometric view
 Scale: 1:1

Solder pocket

Glue groove



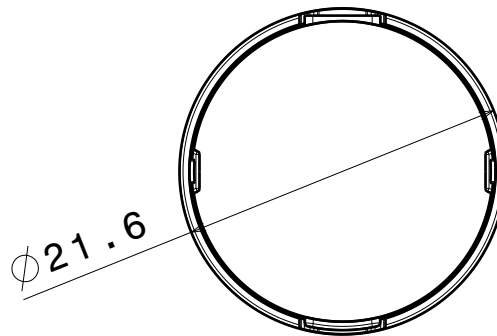
3



14.6

2

Materials:
 Holder: PC white
 Lens: PMMA



Ø21.6

4

3

2

This drawing is our property.
 It can't be reproduced
 or communicated without
 our written agreement.



L
T
F
F

e
e
i
N

DRAWING TITLE

DATASHEET LXP3

DRAWN BY

DATE

m

25.11.2010

CHECKED BY

DATE

s

n

25.11.2010

SIZE

DRAWING NUMBER

A4

REV

2

DESIGNED BY

DATE

SCALE

2:1 WEIGHT (g)

SHEET 1/1

1

1