

Excellent Integrated System Limited

Stocking Distributor

Click to view price, real time Inventory, Delivery & Lifecycle Information:

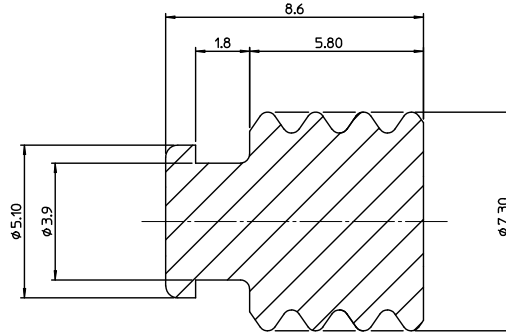
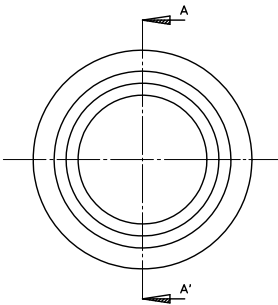
[Molex Connector Corporation](#)
[0494549004](#)

For any questions, you can email us directly:

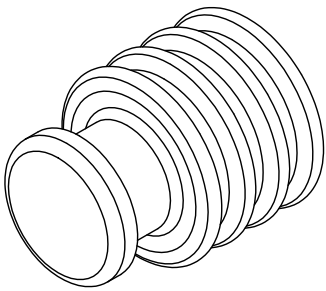
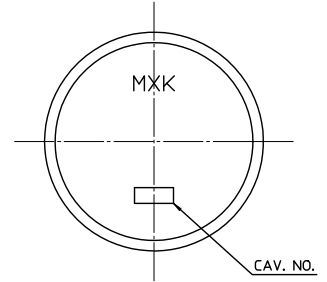
sales@integrated-circuit.com

NOTES

1. MATERIAL : INTERNALLY LUBRICATED SILICONE
2. COLOR : RED
3. APPLICABLE SOCKET ASS'Y : 49454, 104035, 104036
104037, 104038, 104039



SECTION A-A'



ISOVIEW

<TABLE 1>

MATERIAL NO.	ORDER NO.
494549004	49454-9004

NEW RELEASED EC NO: KOR2010-0103 DRAWN BY: DRWNEOKIM 2010/10/27 CHECKED BY: CHKRCYOON 2010/10/28 APPROVED BY: APPRYUNSIKIM 2010/10/28 A REV:	QUALITY SYMBOLS ▽=0 ▽=0	GENERAL TOLERANCES (UNLESS SPECIFIED)		DIMENSION STYLE MM ONLY	SCALE 8:1	DESIGN UNITS METRIC	<input checked="" type="checkbox"/> THIRD ANGLE PROJECTION
		4 PLACES ± --- ± --- 3 PLACES ± 0 ± --- 2 PLACES ± 0.15 ± --- 1 PLACE ± 0.20 ± ---	mm inch	DRAWN BY: EOKIM DATE: 2009/10/20 CHECKED BY: BCYOON DATE: 2009/10/20 APPROVED BY: EHJUNG DATE: 2009/10/20	TITLE S8 BULB SOCKET DUMMY SEAL		
		ANGULAR ± 1 °		MATERIAL NO. SEE TABLE 1	MOLEX INCORPORATED		
		DRAFT WHERE APPLICABLE MUST REMAIN WITHIN DIMENSIONS		DOCUMENT NO. SD-49454-005	SHEET NO. 1 OF 1		