

Excellent Integrated System Limited

Stocking Distributor

Click to view price, real time Inventory, Delivery & Lifecycle Information:

[Harwin Inc.](#)
[M1352-98](#)

For any questions, you can email us directly:

sales@integrated-circuit.com

Customer Information Sheet

DRAWING No.: M135X-XX SHEET 2 OF 2 IF IN DOUBT - ASK © NOT TO SCALE THIRD ANGLE PROJECTION ALL DIMENSIONS IN mm

Ø SPECIFICATIONS:

MATERIALS:

MOULDING = PA66 UL94V-2
CONTACT = PHOSPHOR BRONZE

FINISH:

M1352-XX = 0.76µ GOLD OVER 1.2-2.5µ NICKEL
M1353-XX = 5µ 100% TIN OVER 1.2-2.5µ NICKEL

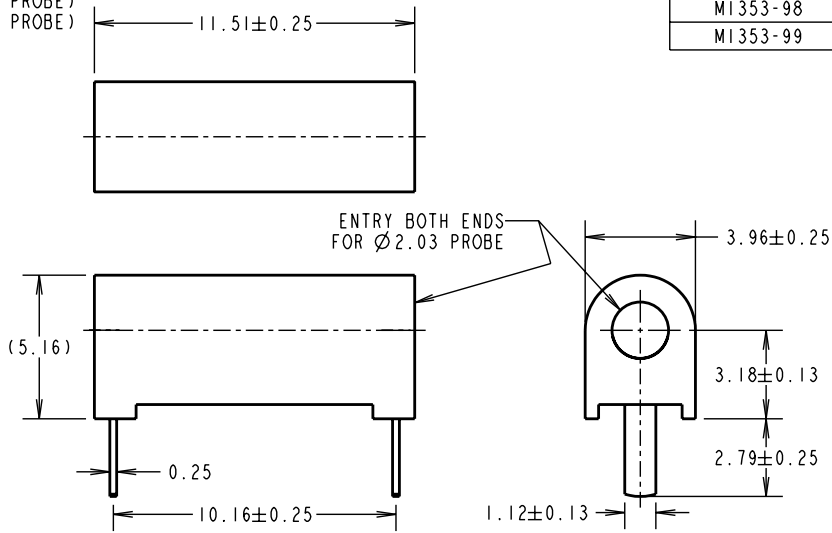
ELECTRICAL:

CURRENT RATING = 5 AMPS
VOLTAGE RATING = 1,500 VRMS
CONTACT RESISTANCE = 5mΩ MAX (GOLD)

MECHANICAL:

INSERTION FORCE = 22.2N MAX (Ø2.03mm PROBE)
WITHDRAWAL FORCE = 2.2N MIN (Ø2.03mm PROBE)
DURABILITY - 100 CYCLES

HARWIN PART No.	COLOUR	FINISH
M1352-94	WHITE	GOLD
M1352-98	BLACK	GOLD
M1352-99	RED	GOLD
M1353-94	WHITE	TIN
M1353-98	BLACK	TIN
M1353-99	RED	TIN



RA	4	25.11.09	10577
NAME	ISS.	DATE	C/NOTE
APPROVED:		R. ADDE	
CHECKED:		M.G.PLESTED	
DRAWN:		R. ADDE	
CUSTOMER REF.:			
ASSEMBLY DRG:			



THIS DRAWING AND ANY INFORMATION OR DESCRIPTIVE MATTER SET OUT HEREON ARE CONFIDENTIAL AND COPYRIGHT PROPERTY OF THE HARWIN GROUP AND MUST NOT BE DISCLOSED, LOANED, COPIED OR USED FOR MANUFACTURING, TENDERING OR FOR ANY OTHER PURPOSE WITHOUT THEIR WRITTEN PERMISSION.

TOLERANCES
X. = ±1mm
X.X = ±0.25mm
X.XX = ±0.10mm
X.XXX = ±0.01mm
ANGLES = ±5°
UNLESS STATED

MATERIAL:

SEE ABOVE

TITLE:

P.C. MOUNTED TEST JACK

HARWIN USA
TEL: 603 893 5376
FAX: 603 893 5396
mis@harwin.com

HARWIN Europe (UK)
TEL: 023 9231 4545
FAX: 023 9231 4590
mis@harwin.co.uk

HARWIN Asia
TEL: +65 6 779 4909
FAX: +65 6 779 3868
mis@harwin.com.sg

FINISH: SEE ABOVE

S/AREA: mm²

DRAWING NUMBER:

M135X-XX

SHT
2 OF
2