

Excellent Integrated System Limited

Stocking Distributor

Click to view price, real time Inventory, Delivery & Lifecycle Information:

[KEMET](#)
[C321C104M5R5TA](#)

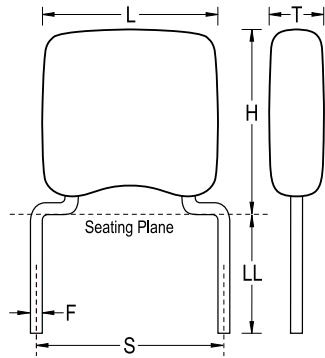
For any questions, you can email us directly:

sales@integrated-circuit.com

KEMET Part Number: C321C104M5R5TA



Capacitor, ceramic, 0.1 uF, +/-20% Tol, 50 V, X7R, Lead Spacing=0.25"



General Information	
Supplier:	KEMET
Application:	General Purpose
Temperature Coefficient:	X7R
Body Type:	Radial Conformal
Lead Type:	Wire Leads
Termination Type:	Tin (Sn)
RoHS:	Yes

Dimensions (mm)		
Symbol	Dimension	Tolerance
L	5.08	MAX
H	5.84	MAX
T	3.18	MAX
S	6.35	NOM
LL	7	MIN
F	0.51	NOM

Specifications	
Capacitance:	0.1 uF
Voltage:	50 V
Tolerance:	+/-20%
Temperature Range:	-55/+125C
Failure Rate:	N/A
Dissipation Factor:	2.5%
Insulation Resistance:	10 GOhm
Dielectric Strength:	125 V

Packaging Specifications	
Package Kind:	Bulk
Package Type:	Bag
Package Quantity:	500

Statements of suitability for certain applications are based on our knowledge of typical operating conditions for such applications, but are not intended to constitute - and we specifically disclaim - any warranty concerning suitability for a specific customer application or use. This Information is intended for use only by customers who have the requisite experience and capability to determine the correct products for their application. Any technical advice inferred from this Information or otherwise provided by us with reference to the use of our products is given gratis, and we assume no obligation or liability for the advice given or results obtained.



© 2006-2016 IntelliData.net