

## Excellent Integrated System Limited

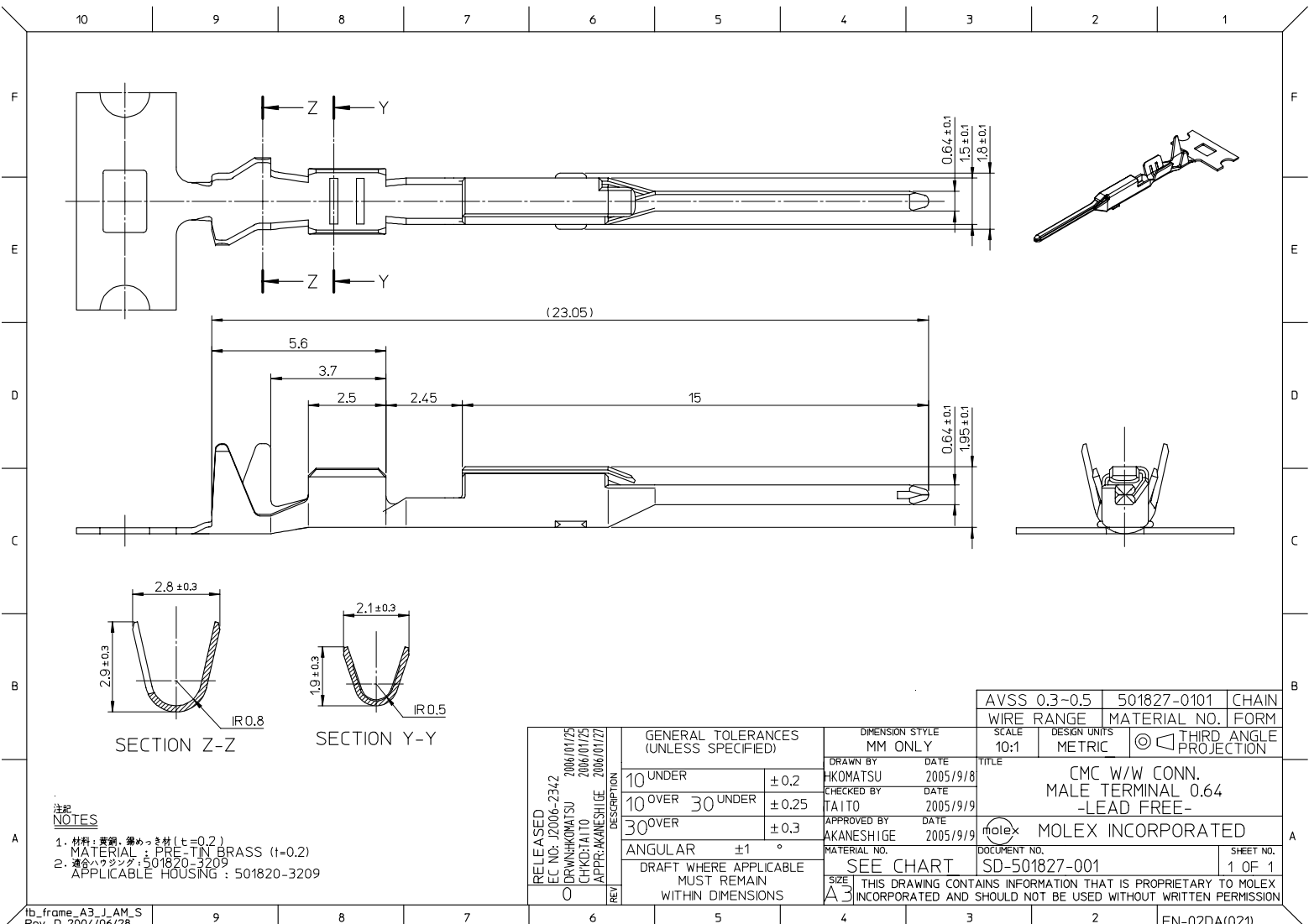
Stocking Distributor

Click to view price, real time Inventory, Delivery & Lifecycle Information:

[Molex Connector Corporation](#)  
[5018270101](#)

For any questions, you can email us directly:

[sales@integrated-circuit.com](mailto:sales@integrated-circuit.com)



**注記**  
**NOTES**

1. 材料：黄銅、鍍めっき材 (t=0.2)
- MATERIAL: PRE-TIN BRASS (t=0.2)
2. 適合ハウジング：501820-3209
- APPLICABLE HOUSING: 501820-3209

RELEASED EC NO: J2006-2342 DRW:HKOMATSU 2006/01/25 CHKD:TAITO 2006/01/25 APPR:AKANESHIGE 2006/01/27	GENERAL TOLERANCES (UNLESS SPECIFIED)		DIMENSION STYLE MM ONLY		AVSS 0.3-0.5	501827-0101	CHAIN	
	10 UNDER	±0.2	DRAWN BY	DATE	WIRE RANGE	MATERIAL NO.	FORM	
	10 OVER 30 UNDER	±0.25	HKOMATSU	2005/9/8	SCALE	THIRD ANGLE PROJECTION		
	30 OVER	±0.3	TAITO	2005/9/9	10:1	METRIC		
	ANGULAR ±1°	APPROVED BY		DATE	TITLE			
	DRAFT WHERE APPLICABLE MUST REMAIN WITHIN DIMENSIONS	AKANESHIGE		2005/9/9	CMC W/W CONN. MALE TERMINAL 0.64 -LEAD FREE-			
		MATERIAL NO.		SEE CHART	MOLEX INCORPORATED			
		DOCUMENT NO.		SD-501827-001	SHEET NO.			
		SIZE		A3	1 OF 1			
		THIS DRAWING CONTAINS INFORMATION THAT IS PROPRIETARY TO MOLEX INCORPORATED AND SHOULD NOT BE USED WITHOUT WRITTEN PERMISSION						