



Distributor of Texas Instruments: Excellent Integrated System Limited

Datasheet of UCC391PW - IC VREF SERIES ADJ 8TSSOP

Contact us: sales@integrated-circuit.com Website: www.integrated-circuit.com

Excellent Integrated System Limited

Stocking Distributor

Click to view price, real time Inventory, Delivery & Lifecycle Information:

[Texas Instruments](#)

[UCC391PW](#)

For any questions, you can email us directly:

sales@integrated-circuit.com



UCC391

ADVANCE INFORMATION

5-Bit Programmable Output BiCMOS Precision Voltage Reference

FEATURES

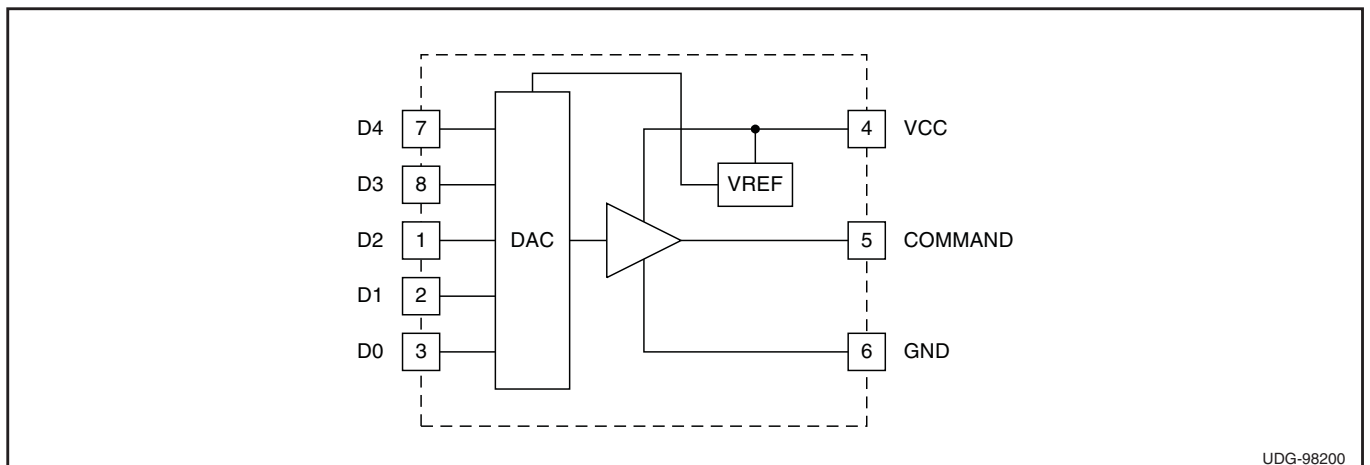
- 5 - Bit Digital-to-Analog Converter (DAC) supports Intel Pentium II™ Microprocessor VID Codes
- Compatible with 5V Systems
- 1% Output Voltage Accuracy Guaranteed

DESCRIPTION

The UCC391 provides an accurate reference, programmable by a 5-bit DAC, in a tiny 8 pin package. Using few external components, the UCC391 converts 5V to an adjustable output ranging from 3.5VDC to 2.1VDC in 100mV steps and 2.05VDC to 1.3VDC in 50mV steps with 1% DC system accuracy.

This device is available in and 8 pin surface mount (150mm SOIC) and TSSOP packages and is specified for operation from 0°C to 70°C.

BLOCK DIAGRAM



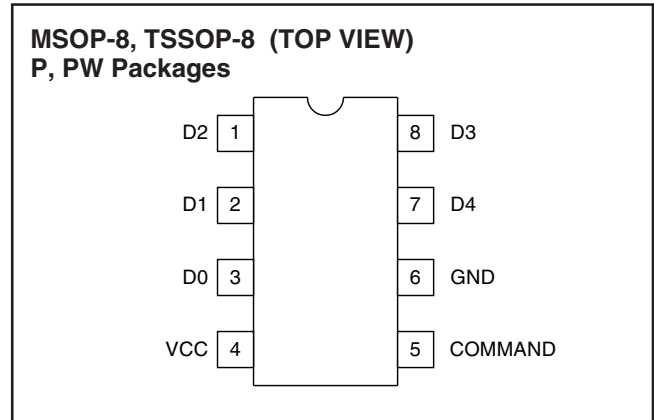
UDG-98200

ABSOLUTE MAXIMUM RATINGS

Supply Voltage V_{CC} 8V
 Input Voltage, D0, D1, D2, D3, D4 8V

Currents are positive into, negative out of the specified terminal. Consult Packaging Section of Databook for thermal limitations and considerations of packages. All voltages are referenced to GND.

CONNECTION DIAGRAMS



ELECTRICAL CHARACTERISTICS: Unless otherwise specified these specifications hold for $T_A = 0^\circ\text{C}$ to 70°C for the UCC391, $T_A = T_J$. $V_{CC} = 5\text{V}$.

PARAMETER	TEST CONDITIONS	MIN	TYP	MAX	UNITS
Supply Current Section					
Supply Current, On	$V_{CC} = 5\text{V}$		1.8		mA
DAC Reference Section					
COMMAND Voltage Accuracy	$4.5\text{V} < V_{IN} < 5.5\text{V}$, measured on COMMAND, $0^\circ\text{C} < T_A < 70^\circ\text{C}$ (Note 1)	-1.00		1.00	%
D0 – D4 Voltage High		4.5	5	5.5	V
D0 – D4 Voltage Threshold			2.5		V
D0 – D4 Input Bias Current	$V(D4, D3, D2, D1, D0) < 0.5\text{V}$		-90	-20	μA
Output Current (Maximum Load)	$I_{OUT}(V_{COMMAND})$	0		150	μA

Note 1: Reference and output amplifier offsets are trimmed out before packaging.

PIN DESCRIPTIONS

GND: (Ground) All voltages measured with respect to ground. VCC should be bypassed directly to GND with a $0.1\mu\text{F}$ or larger ceramic capacitor.

VCC: (Positive supply voltage) This pin is normally connected to a $5\text{V} \pm 10\%$ system voltage. Bypass VCC directly to GND with a $0.1\mu\text{F}$ (minimum) ceramic capacitor.

COMMAND: This pin is the output of the IC. It is controlled by the 5-bit input word (D0:D4). This output will have a $\pm 1\%$ system accuracy over temperature, process, and input voltage.

D0, D1, D2, D3, D4: These are the digital input control codes for the DAC. The DAC is comprised of two ranges set by D4, with D0 representing the least significant bit (LSB) and D3, the most significant bit (MSB). A bit is set low by being connected to GND; a bit is set high by floating the pin. Each control pin is pulled up to approximately 5V by an internal pull-up. If all ones are commanded on the DAC inputs (no CPU command), the output will be disabled.

APPLICATION INFORMATION

D4	D3	D2	D1	D0	V _{OUT}
0	1	1	1	1	1.3
0	1	1	1	0	1.35
0	1	1	0	1	1.4
0	1	1	0	0	1.45
0	1	0	1	1	1.5
0	1	0	1	0	1.55
0	1	0	0	1	1.6
0	1	0	0	0	1.65
0	0	1	1	1	1.7
0	0	1	1	0	1.75
0	0	1	0	1	1.8
0	0	1	0	0	1.85
0	0	0	1	1	1.9
0	0	0	1	0	1.95
0	0	0	0	1	2
0	0	0	0	0	2.05
1	1	1	1	1	NO OUTPUT
1	1	1	1	0	2.1
1	1	1	0	1	2.2
1	1	1	0	0	2.3
1	1	0	1	1	2.4
1	1	0	1	0	2.5
1	1	0	0	1	2.6
1	1	0	0	0	2.7
1	0	1	1	1	2.8
1	0	1	1	0	2.9
1	0	1	0	1	3
1	0	1	0	0	3.1
1	0	0	1	1	3.2
1	0	0	1	0	3.3
1	0	0	0	1	3.4
1	0	0	0	0	3.5

Table I. VID Codes and Resulting Regulator Output Voltage

IMPORTANT NOTICE

Texas Instruments and its subsidiaries (TI) reserve the right to make changes to their products or to discontinue any product or service without notice, and advise customers to obtain the latest version of relevant information to verify, before placing orders, that information being relied on is current and complete. All products are sold subject to the terms and conditions of sale supplied at the time of order acknowledgment, including those pertaining to warranty, patent infringement, and limitation of liability.

TI warrants performance of its semiconductor products to the specifications applicable at the time of sale in accordance with TI's standard warranty. Testing and other quality control techniques are utilized to the extent TI deems necessary to support this warranty. Specific testing of all parameters of each device is not necessarily performed, except those mandated by government requirements.

Customers are responsible for their applications using TI components.

In order to minimize risks associated with the customer's applications, adequate design and operating safeguards must be provided by the customer to minimize inherent or procedural hazards.

TI assumes no liability for applications assistance or customer product design. TI does not warrant or represent that any license, either express or implied, is granted under any patent right, copyright, mask work right, or other intellectual property right of TI covering or relating to any combination, machine, or process in which such semiconductor products or services might be or are used. TI's publication of information regarding any third party's products or services does not constitute TI's approval, warranty or endorsement thereof.