

Excellent Integrated System Limited

Stocking Distributor

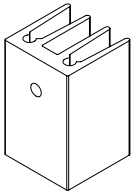
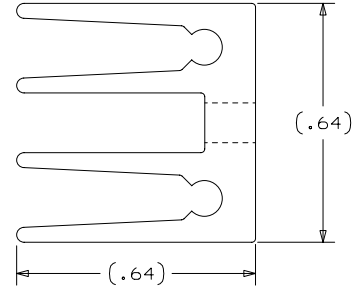
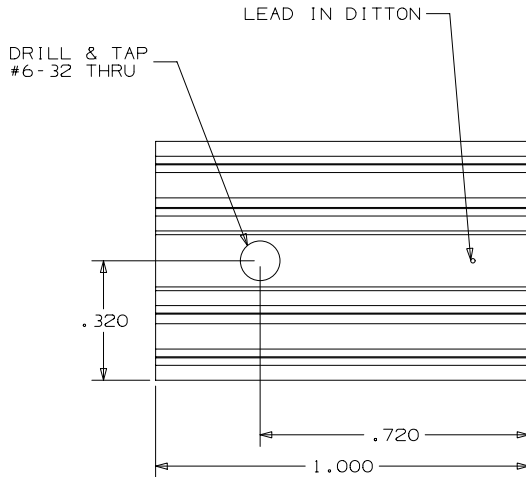
Click to view price, real time Inventory, Delivery & Lifecycle Information:


[Aavid Thermalloy](#)
[581002B00000](#)

For any questions, you can email us directly:

sales@integrated-circuit.com

THIS DRAWING AND THE SPECIFICATIONS CONTAINED HEREIN ARE CONFIDENTIAL AND PROPRIETARY. THEY ARE THE PROPERTY OF AVID THERMAL TECHNOLOGIES INC. AND SHALL NOT BE REPRODUCED OR COPIED OR USED IN WHOLE OR IN PART AS THE BASIS FOR THE MANUFACTURE OR SALE OF ITEMS WITHOUT WRITTEN PERMISSION. THIS IS AN UNPUBLISHED WORK PROTECTED UNDER THE FEDERAL COPYRIGHT LAWS, 1995.



| | | | |
|--------------|----------|--|--------|
| D | 12/13/99 | GENERAL UPDATE PER ECN #009177 | |
| C | 12/10/96 | RELEASED PER ECN #003444 | ML |
| REV. | DATE | DESCRIPTION | CHK'D |
| | |  AAVID TM THERMAL TECHNOLOGIES, INC. | |
| | | <small>ONE KOOL PATH P.O. BOX 400 LACONIA, N.H. 03247-0400</small> | |
| FINISH | | BLACK ANODIZE | |
| U/O | | DRAWING NO. 002701 | |
| MAT'L | | 62470 (004236) | |
| TOLERANCE | | STANDARD DESCRIPTION | |
| UNLESS NOTED | | STD, 581002B00000 | |
| .XX± | .015 | DATE | DRAWN |
| .XXX± | .010 | 08/28/96 | JWD |
| ANGULAR± | 3° | CHK'D | APP'D |
| | | | SCALE |
| | | | 4 TO 1 |
| | | SHEET | |