

Excellent Integrated System Limited

Stocking Distributor

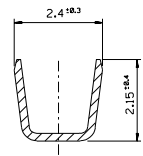
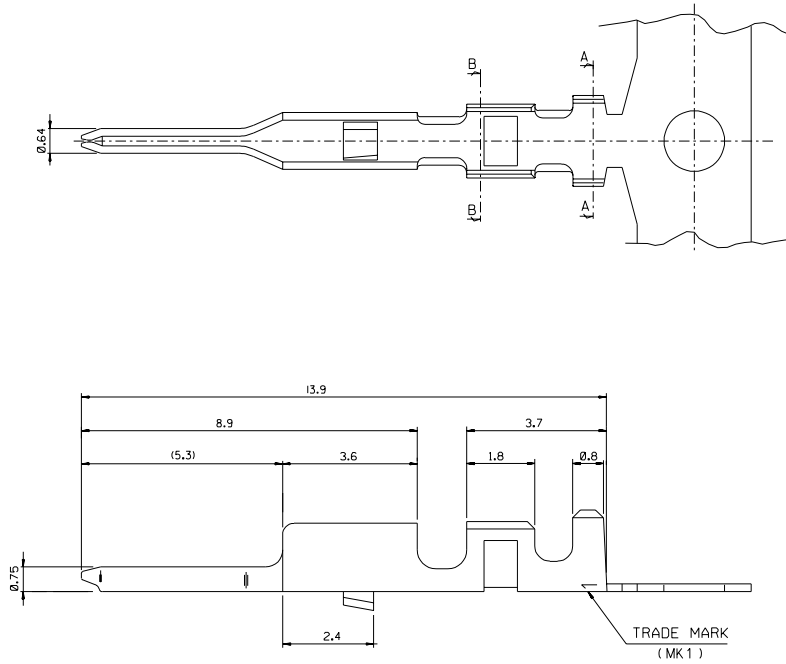
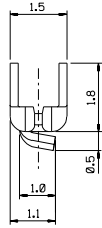
Click to view price, real time Inventory, Delivery & Lifecycle Information:

[Molex Connector Corporation](#)
[0350539002](#)

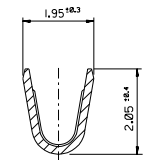
For any questions, you can email us directly:

sales@integrated-circuit.com

DWG. NO. SD-35053-9002
 SIMILAR ITEM
 PROJECT NO.
 C
 B
 DO NOT SCALE DRAWING
 DIMENSION IN METRIC



SECT. A-A



SECT. B-B

NOTES

1. MATED WITH FEMALE TERMINAL: 5103*
2. USED WITH HOUSING : 35184-***00
3. USED WIRE : AWG #22-#28 (STRIP LENGTH:2.3-2.9mm)
4. BRASS(TIN PLATED)

REVISED EC NO. KOR1999-0121 DRAWN: K.S.KIM(991027) CHK: J.K.OH APPR: C.W.LEE	QUALITY SYMBOLS MAJOR CRITICAL	GENERAL TOLERANCES (UNLESS SPECIFIED)		SCALE 10/1	DESIGN UNITS <input checked="" type="checkbox"/> mm <input type="checkbox"/> INCH	THIRD ANGLE PROJECTION <input checked="" type="checkbox"/> <input type="checkbox"/>	DIMENSIONS: <input type="checkbox"/> mm <input type="checkbox"/> INCH <input checked="" type="checkbox"/> mm ONLY		SHT	REV	
		4 PLACES	±0.	±.	DRAWN BY & DATE D.J.KIM 94/2/28	TITLE: 2.5 PITCH W/W CONN. TERMINAL					
		3 PLACES	±0.	±.	CHECKED BY & DATE J.K.OH	<input checked="" type="checkbox"/> MOLEX INCORPORATED KOREA MATERIAL NO. 350539002 DRAWING NO. SD-35053-9002 SHEET NO. 1 OF 1 SIZE B					
		2 PLACES	±0.	±.	APPROVED BY & DATE C.W.LEE						
1 PLACE	±0.3	±.	ANGULAR ± 2 °	CAD FILENAME SD35053.DGN	THIS DRAWING CONTAINS INFORMATION THAT IS PROPRIETARY TO MOLEX INCORPORATED AND SHOULD NOT BE USED WITHOUT WRITTEN PERMISSION.						
D	REV	DRAFT WHERE APPLICABLE MUST REMAIN WITHIN DIMENSIONS									