

Excellent Integrated System Limited

Stocking Distributor

Click to view price, real time Inventory, Delivery & Lifecycle Information:

[Bourns Inc.](#)
[CAT16-LV4F12LF](#)

For any questions, you can email us directly:
sales@integrated-circuit.com



Features

- HIGH PERFORMANCE TERMINATION NETWORK
- Miniaturized circuitry and packaging for space reduction
- Designed for gigabit communication networks
- Controlled impedance
- RoHS compliant*

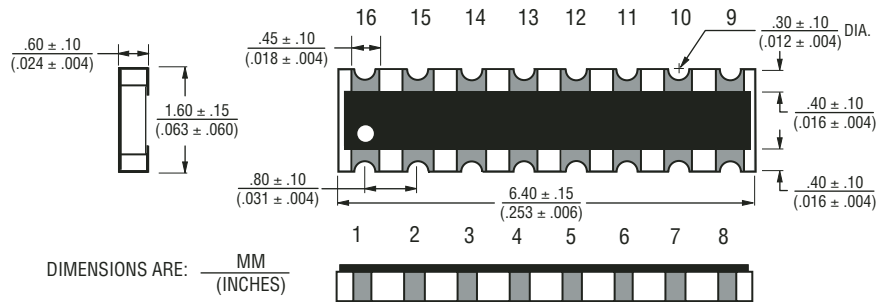
CAT16-LV4F12LF - Concave Chip Array

Electrical Characteristics

Resistance
 R1165 ohms
 R2140 ohms
 Tolerance±1 %
 TCR±200 ppm/°C
 Temperature Range-55 °C to +125 °C
 Max. Operating Voltage5 VDC
 Max. Power Resistance0.0625 W
 Solderability>95 % Coverage

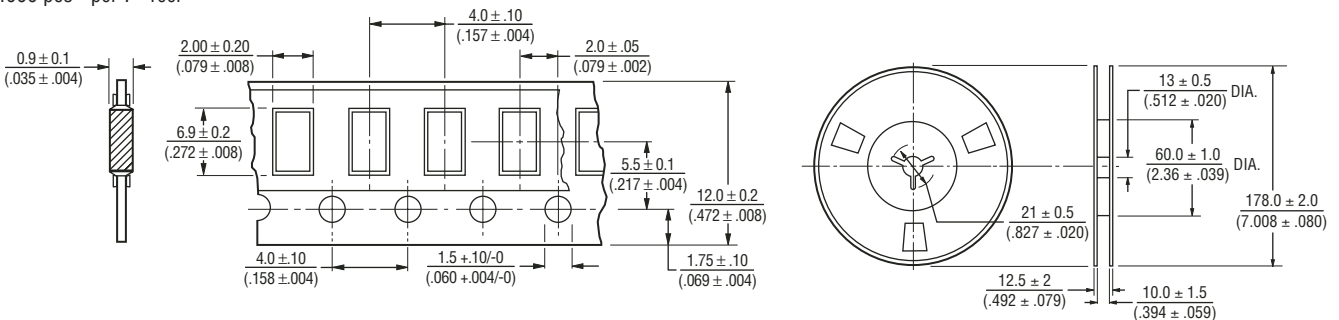
For Standard Values Used in Capacitors, Inductors, and Resistors, [click here](#).

Product Dimensions

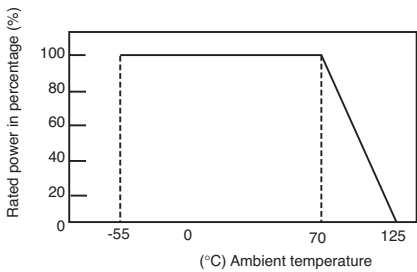


Packaging Specifications

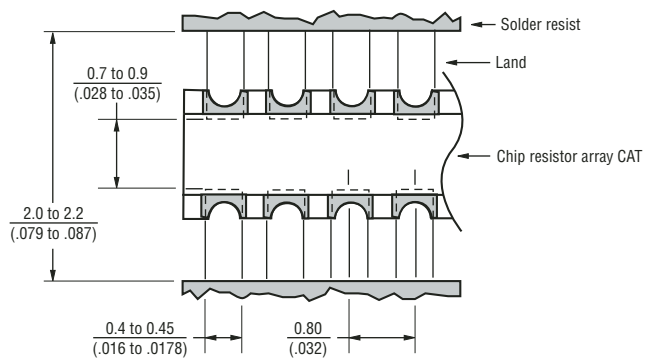
4000 pcs - per 7" reel



Derating Curve



Land Pattern



Schematic

