

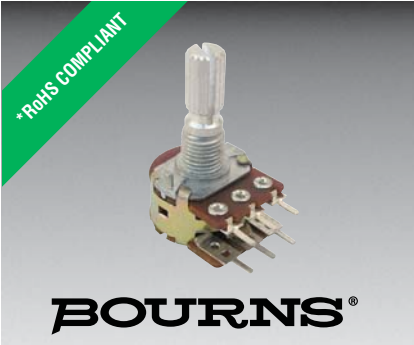
Excellent Integrated System Limited

Stocking Distributor

Click to view price, real time Inventory, Delivery & Lifecycle Information:

[Bourns Inc.](#)
[PDB184-K425K-103B1](#)

For any questions, you can email us directly:
sales@integrated-circuit.com



Features

- PC pin or solder lug terminals
- Rotary switch option
- Metal shaft styles
- Carbon element
- Audio, linear, and reverse audio tapers
- RoHS compliant*



PDB184 - 17 mm Rotary Potentiometer w/Rotary Switch

Electrical Characteristics

Taper..... Linear, audio
 Standard Resistance Range
 1 K ohms to 1 M ohms
 Standard Resistance Tolerance.....±20 %
 Residual Resistance..... 1 % max.

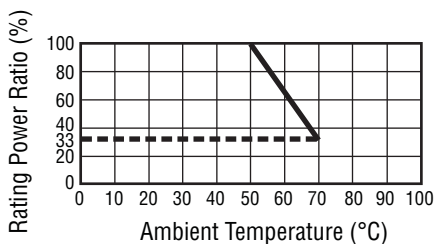
Environmental Characteristics

Operating Temperature
 -10 °C to +50 °C
 Power Rating
 Linear0.125 watt
 Audio0.06 watt
 Maximum Operating Voltage
 Linear 200 V
 Audio 150 V
 Sliding Noise 47 mV max.

Mechanical Characteristics

Mechanical Angle300 ° ±5 °
 Rotational Torque30 to 100 g-cm
 Stop Strength 5 kg-cm min.
 Rotational Life 15,000 cycles
 Switch Life..... 15,000 cycles
 Switch Type SPDT
 Switching Angle..... 50 ° max.
 Soldering Condition
 260 °C max. within 3 seconds
 Hardware One flat washer and
 mounting nut supplied per
 potentiometer with bushing

Derating Curve

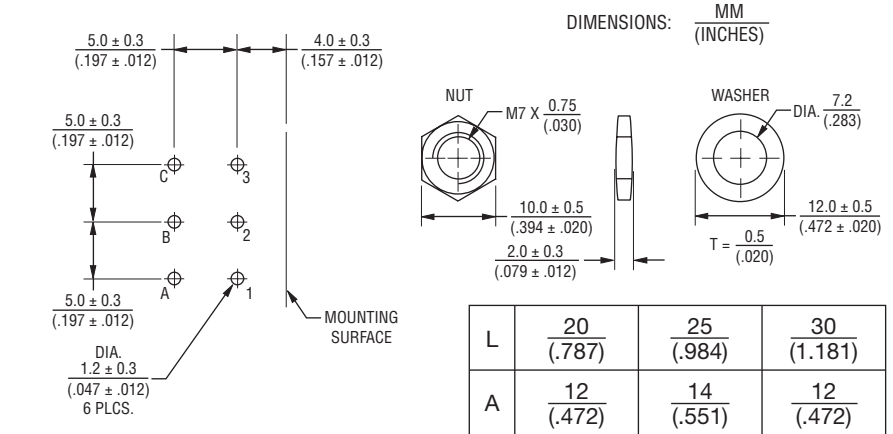
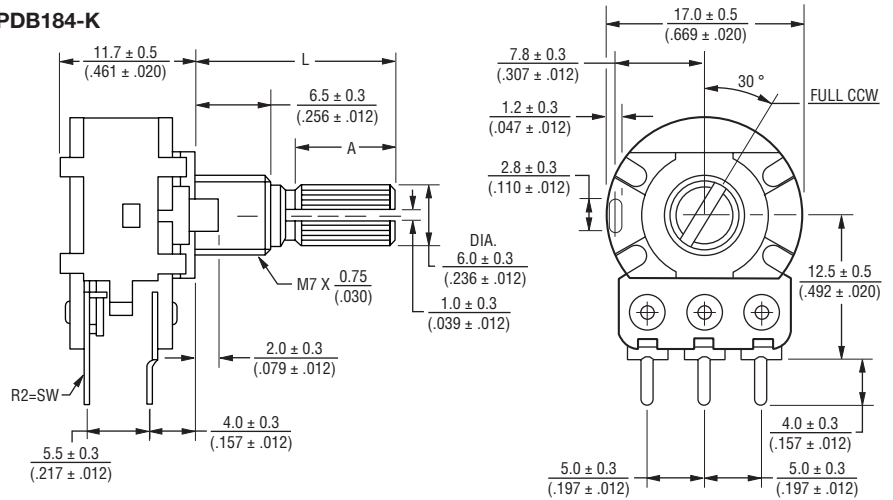


Standard Resistance Table

Resistance (Ohms)	Resistance Code
1,000	102
2,000	202
5,000	502
10,000	103
20,000	203
50,000	503
100,000	104
200,000	204
500,000	504
1,000,000	105

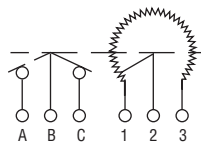
Product Dimensions

PDB184-K



DIMENSIONS:		MM (INCHES)		
L	20 (.787)	25 (.984)	30 (1.181)	
A	12 (.472)	14 (.551)	12 (.472)	

Schematic



*RoHS Directive 2002/95/EC Jan 27 2003 including Annex
 Specifications are subject to change without notice.
 Customers should verify actual device performance in their specific applications.

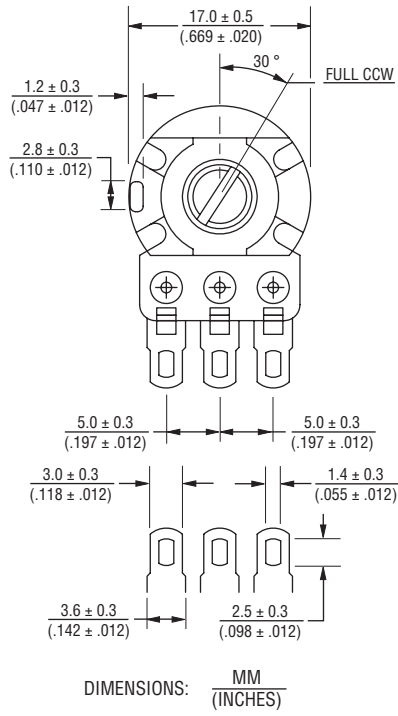
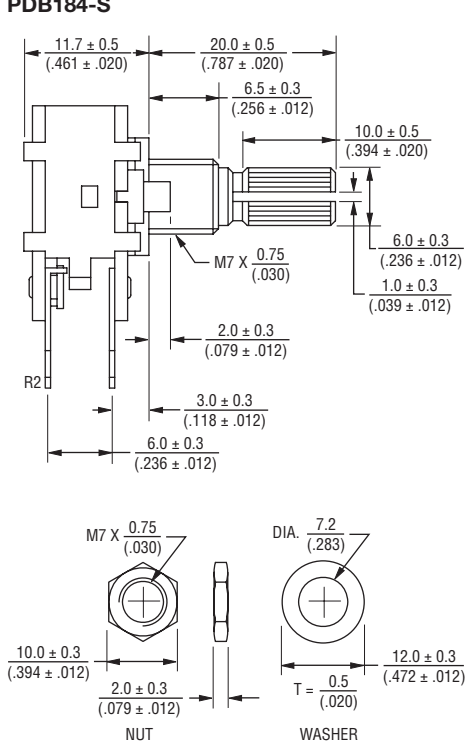
Applications

- Car audio controls
- Amplifiers
- Mixers
- Drum machines
- Synthesizers

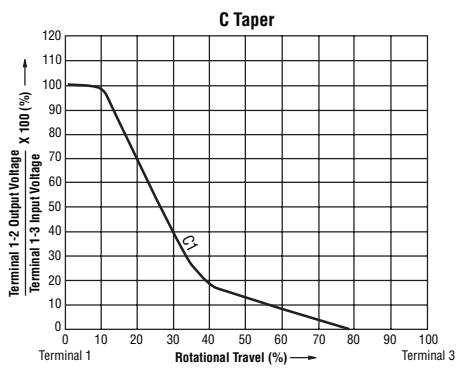
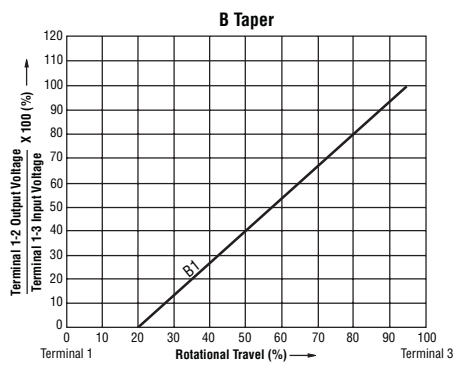
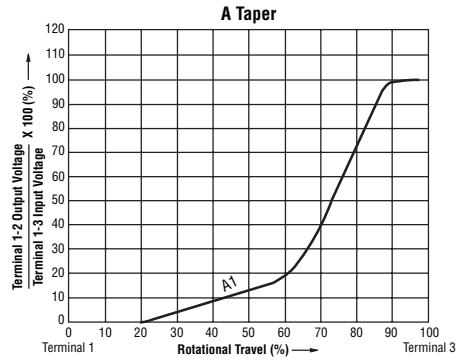
PDB184 - 17 mm Rotary Potentiometer w/Rotary Switch **BOURNS®**

Product Dimensions

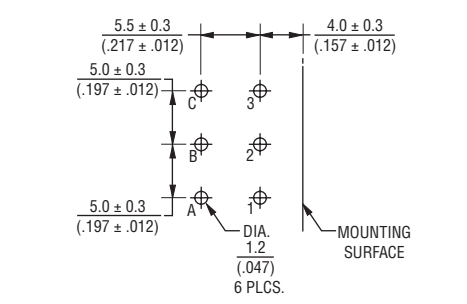
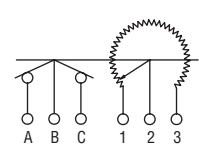
PDB184-S



Tapers



Schematic



How To Order

PDB184 - K 4 25 K - 103 A1

Model _____

Terminal Configuration (Pin Layout) _____
 (see individual drawings)
 • K = PC Pins Vertical/Down Facing(12.5 mm)
 • S = Solder Lugs Vertical/Down Facing

Detent Option _____
 • 4 = No Detents

Standard Shaft Length _____
 • 20 = 20 mm • 25 = 25 mm • 30 = 30 mm

Shaft Style _____
 • K = Metal Knurled Type Shaft - 18 Toothed Serration Type

Resistance Code (See Table) _____

Resistance Taper (See Taper Charts) _____