

Excellent Integrated System Limited

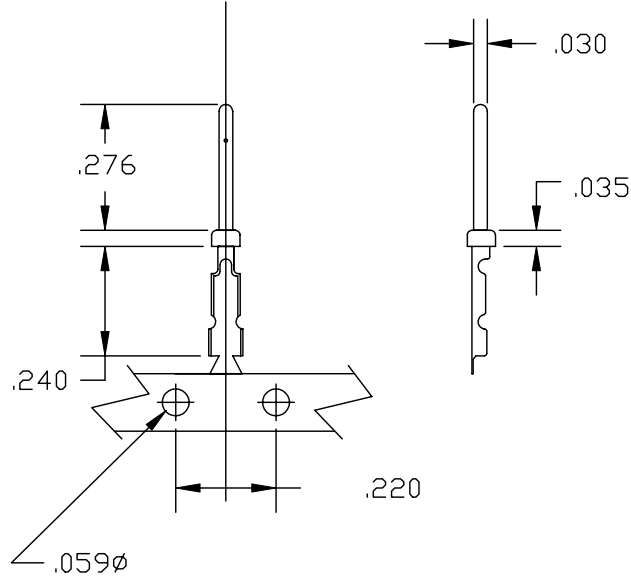
Stocking Distributor

Click to view price, real time Inventory, Delivery & Lifecycle Information:


[NorComp](#)
[180-001-170-001](#)

For any questions, you can email us directly:
sales@integrated-circuit.com

DESCRIPTION:



MATERIAL: BRASS
 PLATING: 10 MICRO-INCH GOLD OVER 50 MICRO-INCH NICKEL
 NICKEL ON WIRE CRIMP AREA
 WIRE SIZE: 22 - 26 AWG
 REEL SIZE = 10,000 PCS

	THESE DRAWINGS AND SPECIFICATIONS ARE THE PROPERTY OF NorComp AND SHALL NOT BE REPRODUCED, COPIED OR USED AS THE BASIS FOR THE MANUFACTURE OF SALE OF APPARATUS WITHOUT WRITTEN PERMISSION.		DRAWN: PAM JENKINS	DATE: 3-30-01
	<h1>NorComp</h1>		CHECKED:	DATE:
SCALE:			SHEET 1 OF 1	REV 1
DWG NO. 180-001-170-001				