

## Excellent Integrated System Limited

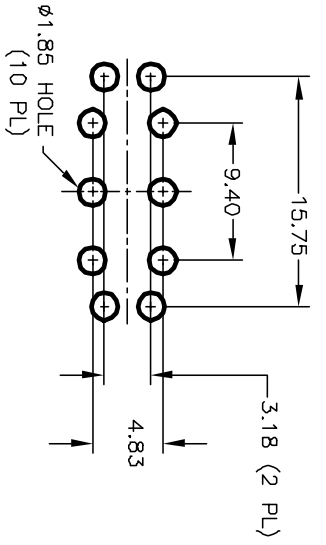
Stocking Distributor

Click to view price, real time Inventory, Delivery & Lifecycle Information:

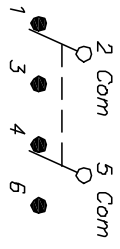
[E-Switch](#)  
[100DP1T2B4VS2RE](#)

For any questions, you can email us directly:

[sales@integrated-circuit.com](mailto:sales@integrated-circuit.com)



RECOMMENDED PCB LAYOUT

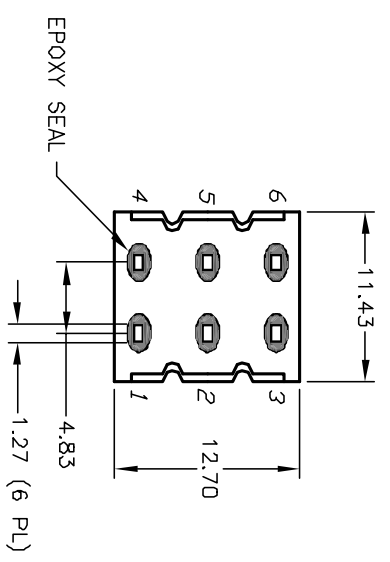
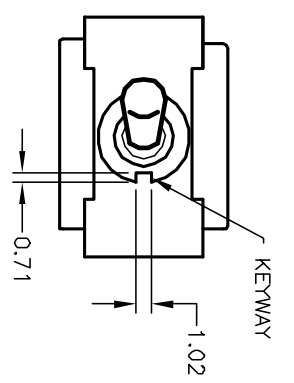


CIRCUIT: DPDT CONTACT CONFIGURATION

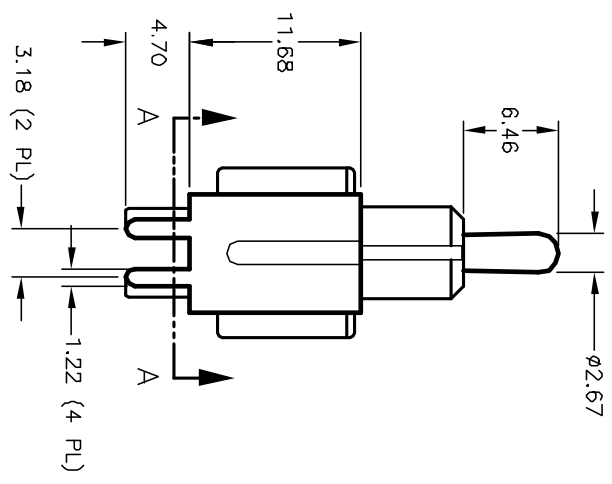
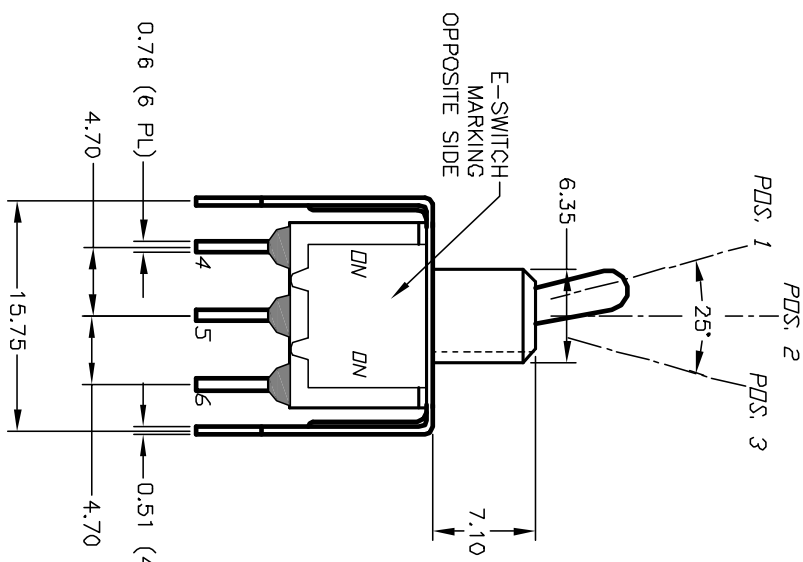
SWITCH FUNCTION		
POS. 1	POS. 2	POS. 3
DN	NONE	DN
2-3-5-6	DPEN	2-1-5-4

NOTES:

1. ALL DIMENSIONS IN MM
2. GENERAL TOLERANCE: X.X=±0.4  
X.XX=±0.25
3. TERM. NOS. FOR REF. ONLY
4. RATING: 0.4VA @20V AC/DC max.
5. FIXED TERM. & MOVING CONTACT:  
Copper Alloy W/GOLD plate over Nickel plate.
6. ELECTRICAL LIFE: 50,000 make-and-break cycles at full load.
7. INSULATION RESISTANCE: 1,000M ohm min.
8. DIELECTRIC STRENGTH: 1,000V RMS @sea level.
9. OPERATING TEMP.: -30°C to +85°C.



SECTION A-A  
BRACKET NOT SHOWN



REV.	ECN NO.	DESCRIPTION	DATE	CHKD
A	11547	REVISED ACTUATOR	11/27/02	CJB
		THE INFORMATION CONTAINED IN THIS DOCUMENT IS PROPRIETARY TO E-SWITCH AND IS NOT TO BE COPIED OR TRANSMITTED		CHKD

TITLE	SCALE	DATE	DR	DWG	REV
100 DP-1 T2 B4 VS2 R E (GOLD CONTACTS)	2:1	--	--	T121055	A

