

Excellent Integrated System Limited

Stocking Distributor

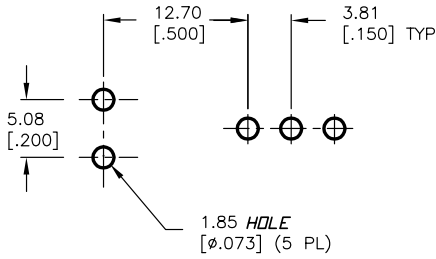
Click to view price, real time Inventory, Delivery & Lifecycle Information:

[E-Switch](#)
[100AWSP1T2B4M7RE](#)

For any questions, you can email us directly:

sales@integrated-circuit.com

SHEET OF



RECOMMENDED PCB LAYOUT

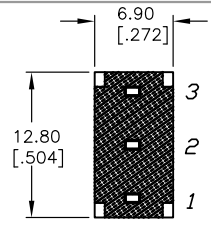
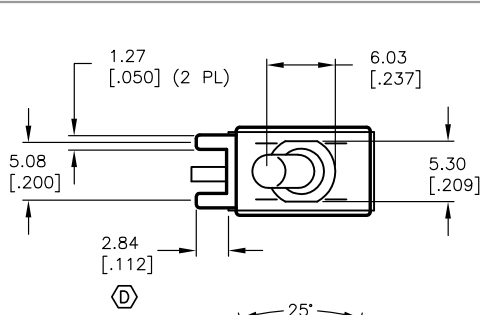


SPDT CIRCUIT CONTACT CONFIGURATION

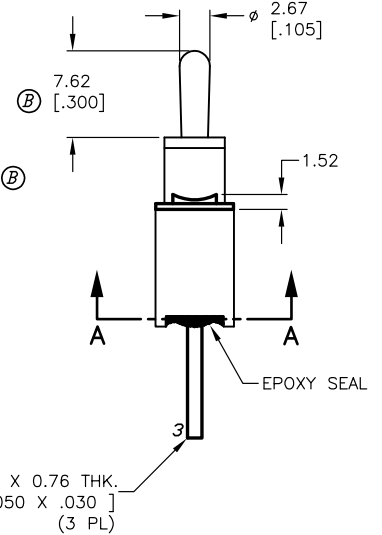
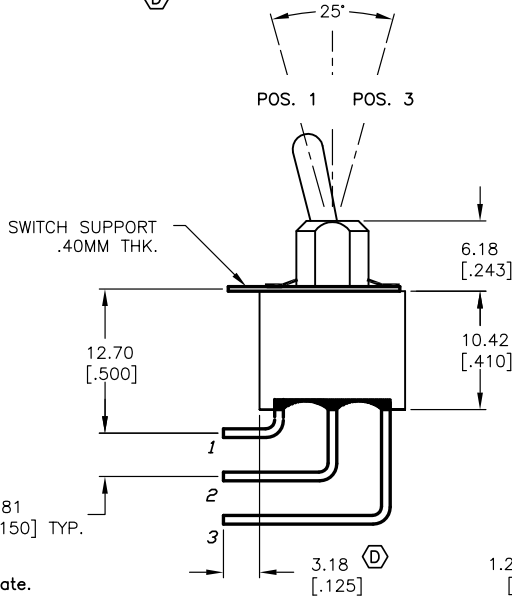
| SWITCH FUNCTION | | |
|-----------------|--------|--------|
| POS. 1 | POS. 2 | POS. 3 |
| | | |
| 2-3 | OPEN | 2-1 |

NOTES:

1. ALL DIMENSIONS IN MM [INCH]
2. GENERAL TOLERANCE: X.XX=±0.4 X.XX=±0.25
3. TERMINAL NUMBERS FOR REF ONLY
4. RATING: 0.4(VA) Max. @20V (AC or DC)
5. FIXED TERM. & MOVING CONTACT: Cu Alloy w/Gold plate over Ni plate.
6. ELECTRIC LIFE: 50,000 make-and-break cycles at full load.
7. INSULATION RESISTANCE: 1,000 Mega-ohm min.
8. DIELECTRIC STRENGTH: 1,000 V RMS @sea level.
9. OPERATING TEMP.: -30°C to 85°C



SECTION A-A



ⓑ

| REV. | ECN No. | DESCRIPTION | DATE | CHKD |
|------|---------|---------------------------|---------|------|
| D | 14181 | 3.18 WAS 4.50, SUPPRT DIM | 7/21/04 | AR |
| C | 13090 | 3.18 WAS 2.69 | 4/28/03 | AR |
| B | 11525 | REVISED ACTUATOR/BUSHING | 6/01/01 | CB |

THE INFORMATION CONTAINED IN THIS DOCUMENT IS PROPRIETARY TO E-SWITCH AND IS NOT TO BE COPIED OR TRANSFERRED

| | | | | |
|----------------------------------|----------|----|---------|-----|
| E-SWITCH® | | | | |
| TITLE 100A WSP-1 T2 B4 M7 R E | | | | |
| SCALE | DATE | DR | DWG | REV |
| 2:1 | 10/20/99 | MM | T101014 | D |