

## Excellent Integrated System Limited

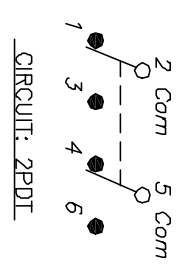
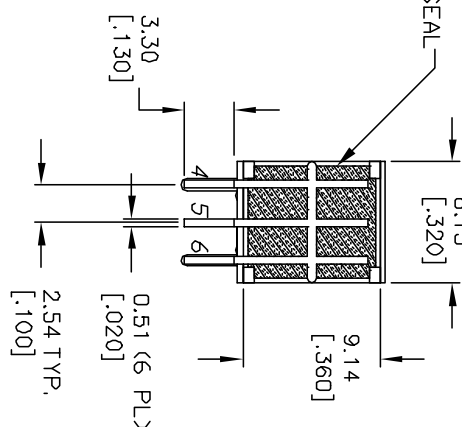
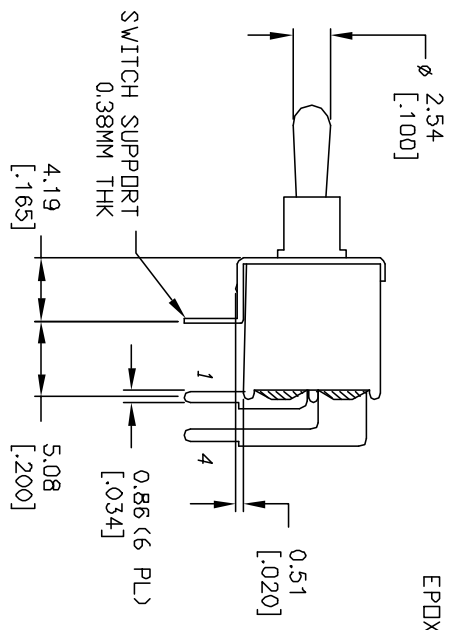
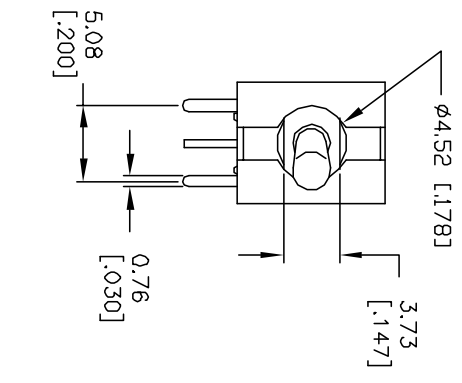
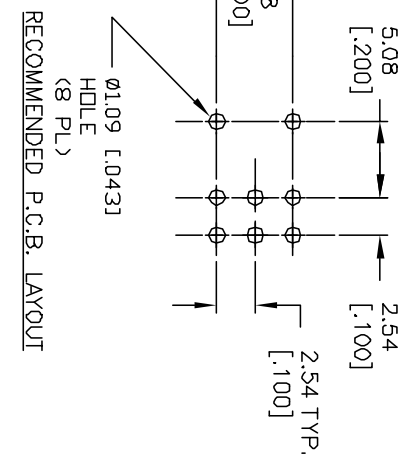
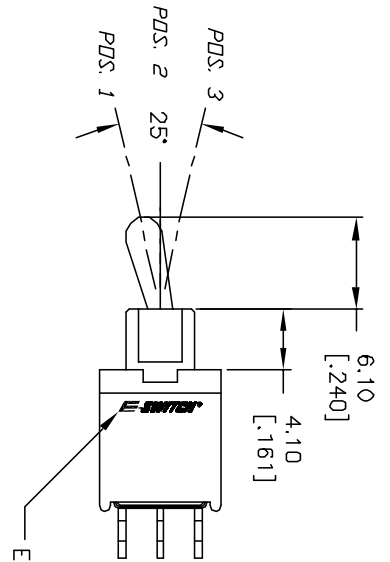
Stocking Distributor

Click to view price, real time Inventory, Delivery & Lifecycle Information:



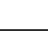
[E-Switch](#)  
[200AWMDP1T2A1M6RE](#)

For any questions, you can email us directly:

[sales@integrated-circuit.com](mailto:sales@integrated-circuit.com)



CONTACT CONFIGURATION

SWITCH FUNCTION		
PDS. 1	PDS. 2	PDS. 3
		
DN	NONE	DN
2-3-5-6	DPEN	2-1-5-4

- NOTES:
1. ALL DIMENSIONS IN MM. [INCH]
  2. GENERAL TOLERANCE: X.X=±0.4  
X.XX=±0.25
  3. TERM. NOS. FOR REF. ONLY
  4. RATING: 0.4(VA) max. @20V max. (AC or DC)
  5. FIXED TERM. & MOVING CONTACT: Copper alloy w/Gold plate over Nickel plate
  6. ELECTRICAL LIFE: 50,000 make-and-break cycles at full load.
  7. INSULATION RESISTANCE: 1000M ohm min.
  8. DIELECTRIC STRENGTH: 1000V RMS min. @sea level.
  9. OPERATING TEMP.: -30°C to 85°C

**E-SWITCH®**

REV.	ECN No.	DESCRIPTION	DATE	CHKD
A	11467	RELEASED FOR PRODUCTION	5/16/01	CJB

TITLE	SCALE	DATE	DR	DWG	REV
200A WMDP-1 T2 A1 M6 R E	2:1	5/16/01	CJB	T201110	A

THE INFORMATION CONTAINED IN THIS DOCUMENT IS PROPRIETARY TO E-SWITCH AND IS NOT TO BE COPIED OR TRANSFERRED