

Excellent Integrated System Limited

Stocking Distributor

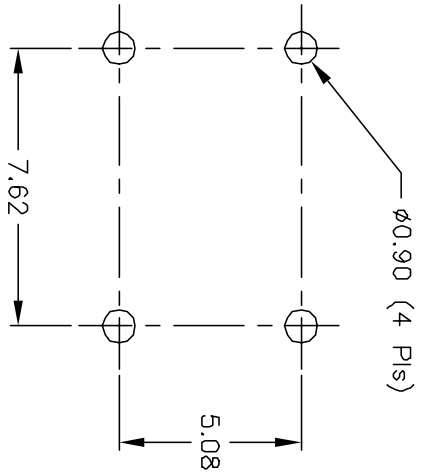
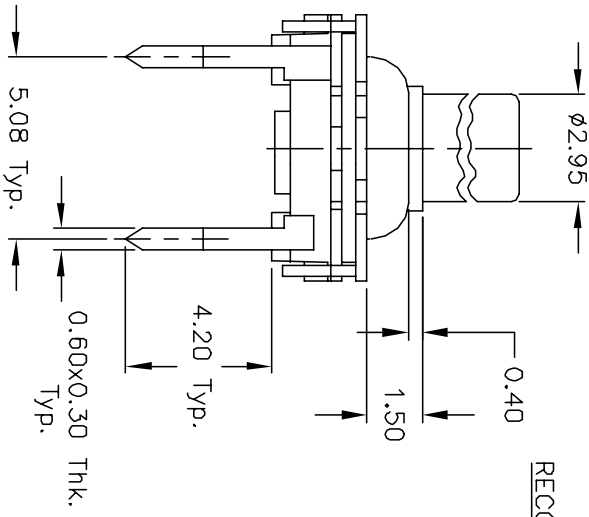
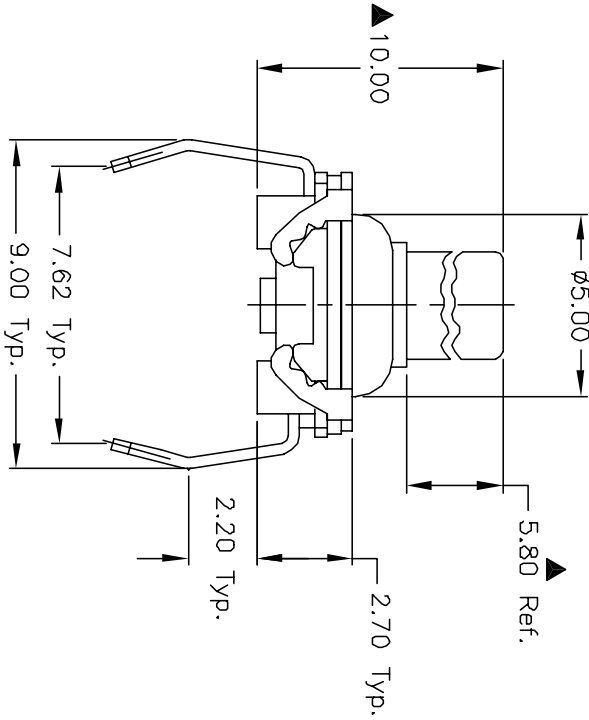
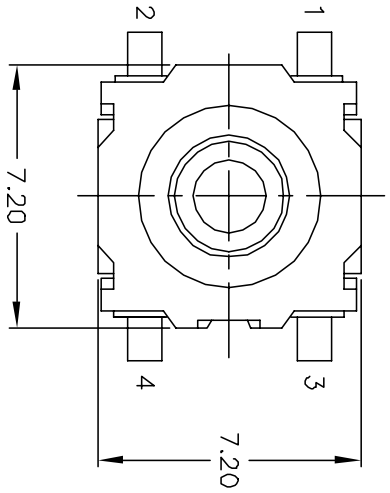
Click to view price, real time Inventory, Delivery & Lifecycle Information:

[E-Switch](#)
[GSE10.00F130QP](#)

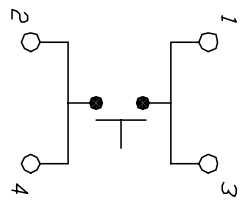
For any questions, you can email us directly:

sales@integrated-circuit.com

SHEET 0F



RECOMMEND P.C.B. LAYOUT



CIRCUIT: SPST

CONTACT CONFIGURATION

NOTES:

1. ALL DIMENSIONS IN MM
2. GENERAL TOLERANCE: 0.0=±0.4
0.00=±0.25
3. TERM. NOS. FOR REF. ONLY
4. ACTUATION FORCE: 130±40gf
5. TRAVEL TO MAKE: 0.3mm +0.4/-0.0
6. RATING: 30ma, @12V DC
7. CONTACT RESISTANCE: 50 milli-ohms typical
8. DIELECTRIC STRENGTH: 300V RMS min at sea level.
9. ELECTRICAL LIFE CYCLE: 1,000,000 make & break cycles at full load.
10. DESIGNATE MAJOR DIMENSIONS

REV.	ECN No.	DESCRIPTION	DATE	CHKD
B	10088	REVISED & REDRAWN	1/27/99	

TITLE	SCALE	DATE	DR	DWG	REV
GSE 10.00 F130 QP - Washable Tact Switch	5:1	1/13/99	MM	L600001	B

E-SWITCH®

THE INFORMATION CONTAINED IN THIS DOCUMENT IS PROPRIETARY TO E-SWITCH AND IS NOT TO BE COPIED OR TRANSMITTED