

## **Excellent Integrated System Limited**

Stocking Distributor

Click to view price, real time Inventory, Delivery & Lifecycle Information:

[Panasonic Electronic Components](#)  
[LN247RP](#)

For any questions, you can email us directly:

[sales@integrated-circuit.com](mailto:sales@integrated-circuit.com)

小形

Small Type

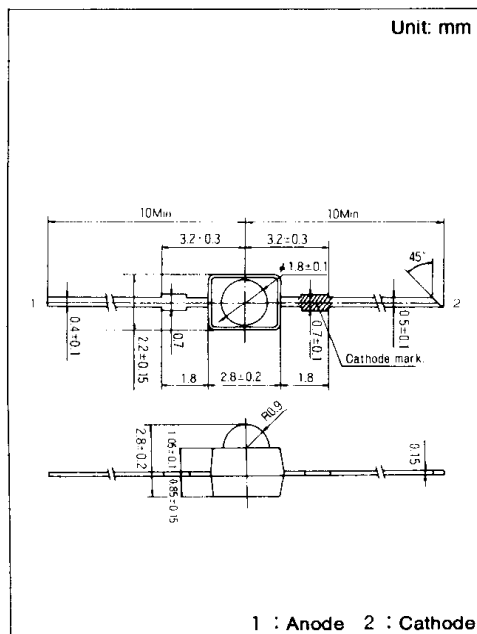
ダブルエンド Double End

Type No. Lighting Color  
LN247RP ..... Red  
LN347GP ..... Green  
LN447YP ..... Amber

絶対最大定格 Absolute Maximum Ratings (Ta=25 °C)

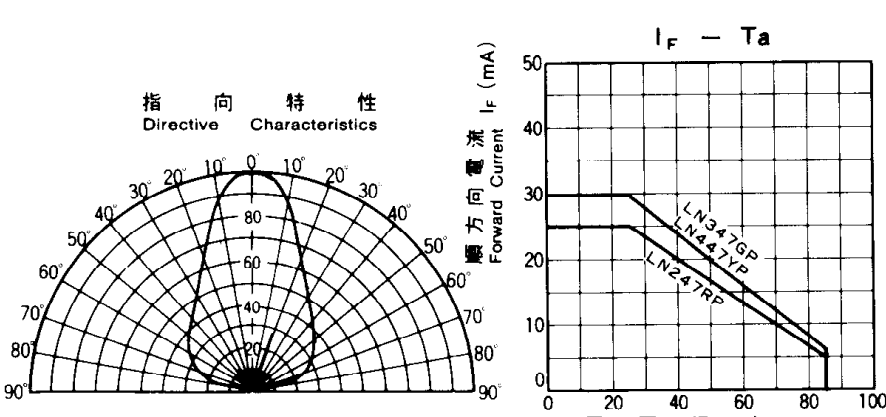
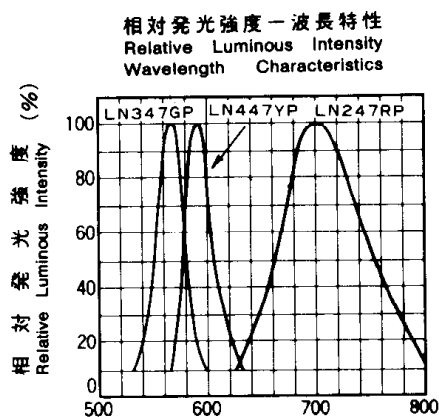
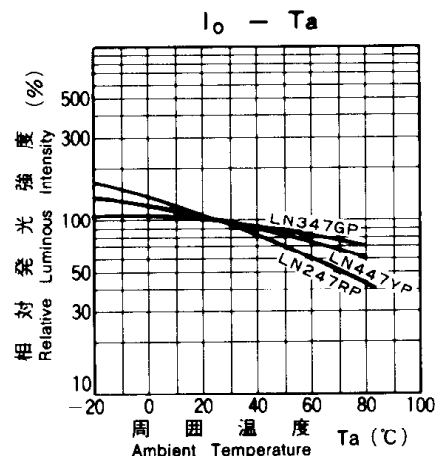
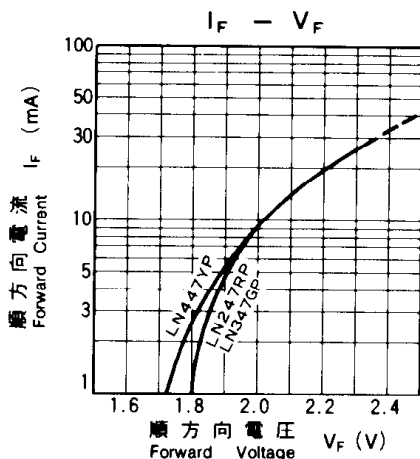
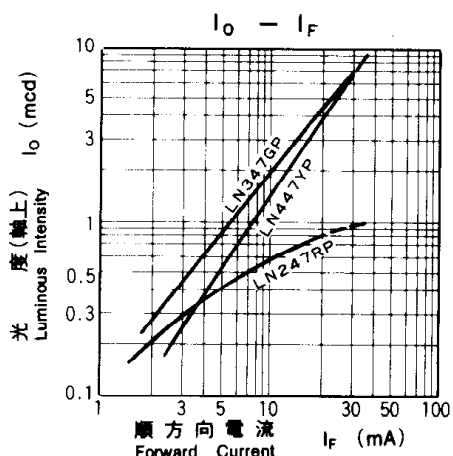
Lighting Color	P <sub>D</sub> (mW)	I <sub>F</sub> (mA)	I <sub>FP</sub> (mA)*	V <sub>R</sub> (V)	T <sub>opr</sub> (°C)	T <sub>stg</sub> (°C)
Red	70	25	100	4	-25~+85	-30~+100
Green	90	30	100	4	-25~+85	-30~+100
Amber	90	30	100	4	-25~+85	-30~+100

\* I<sub>FP</sub>の条件は、duty 10%, Pulse width 1 msec. The condition of I<sub>FP</sub> is duty 10%, Pulse width 1 msec



電気的光学的特性 Electro-Optical Characteristics (Ta=25 °C)

Type No.	Lighting Color	Lens Color	I <sub>O</sub>			V <sub>F</sub>		λ <sub>P</sub>	Δλ	I <sub>F</sub>	I <sub>R</sub>	
			Typ.	Min.	I <sub>F</sub>	Typ.	Max.				Max.	V <sub>R</sub>
LN247RP	Red	Red Diffused	0.7	0.25	15	2.2	2.8	700	100	20	10	4
LN347GP	Green	Green Diffused	4.5	1.50	20	2.2	2.8	565	30	20	10	4
LN447YP	Amber	Amber Diffused	4.0	1.00	20	2.2	2.8	590	30	20	10	4
Unit	—	—	mcd	mcd	mA	V	V	nm	nm	mA	μA	V



指向特性 Directive Characteristics

