

Excellent Integrated System Limited

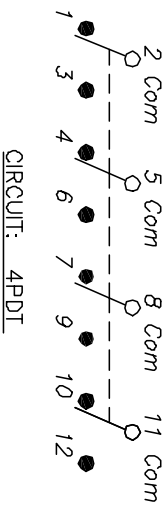
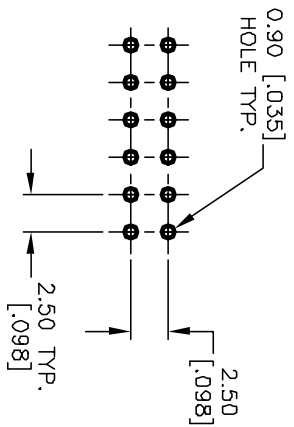
Stocking Distributor

Click to view price, real time Inventory, Delivery & Lifecycle Information:

[E-Switch](#)
[MTH4UOANAGX](#)

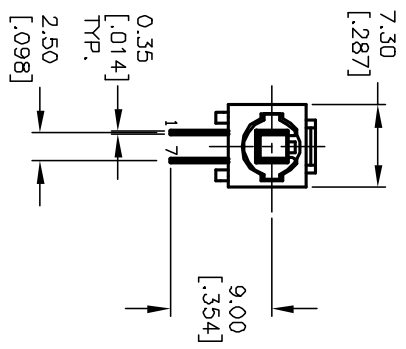
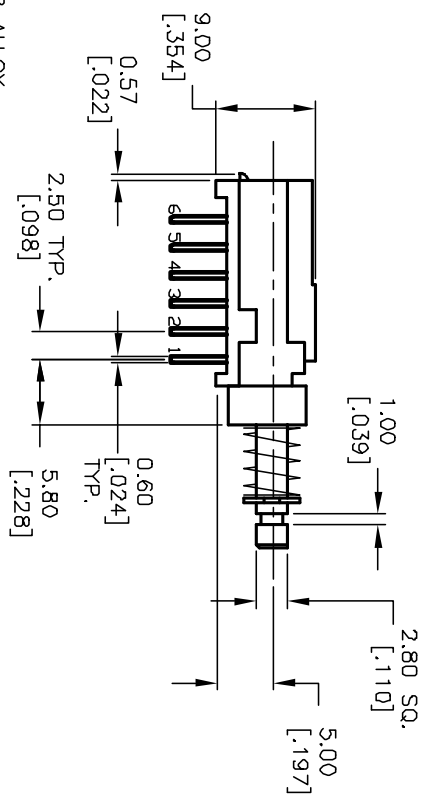
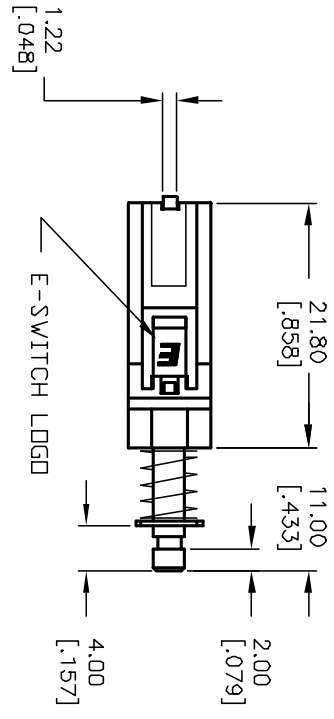
For any questions, you can email us directly:

sales@integrated-circuit.com



NOTES:

1. ALL DIMENSIONS IN MM [INCH]
2. GENERAL TOLERANCE: X.X=±0.4
X.XX=±0.25
3. TERM. NOS. FOR REFERENCE ONLY.
4. RATING: 0.1A @30V DC
5. MATERIALS:
CONTACT/TERMINAL: SILVER PLATED COPPER ALLOY
HOUSING/PLUNGER: UL94HB
6. CONTACT RESISTANCE: 0.1 MAX.
7. TIMING: NON-SHORTING (BBM)
8. OPERATING FORCE: 230±100g
9. TRAVEL: 2mm
3mm (OVERALL)
10. ELECTRICAL LIFE: >10,000
11. DIELECTIC STRENGTH: 250V RMS



REV.	ECN No.	DESCRIPTION	DATE	CHKD
C	11999	REVISED AND REDRAWN	3/14/02	CJB

TITLE	SCALE	DATE	DR	DWG	REV
MTH4U DA N AGX (MOMENTARY)	1.5:1	3/14/02	CJB	A960008	C

E-SWITCH®

THE INFORMATION CONTAINED IN THIS DOCUMENT IS PROPRIETARY TO E-SWITCH AND IS NOT TO BE COPIED OR TRANSMITTED