

## Excellent Integrated System Limited

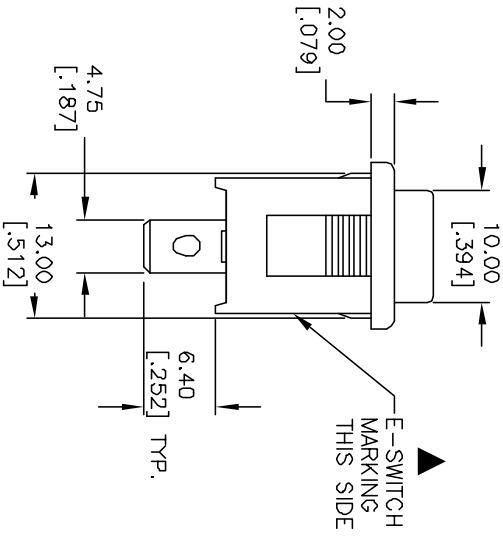
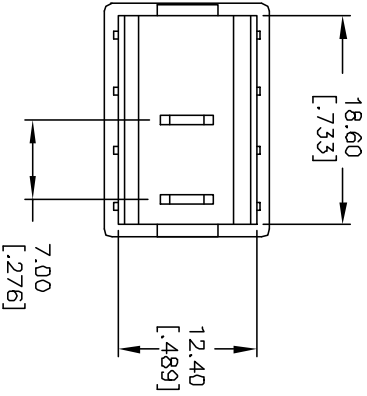
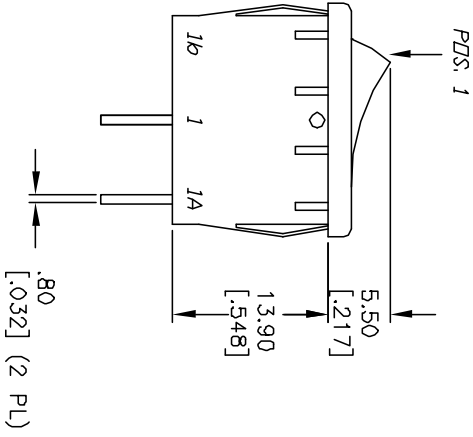
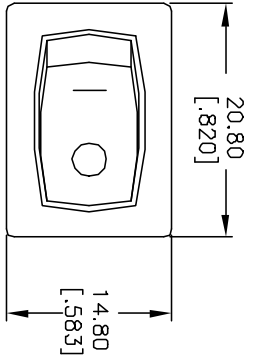
Stocking Distributor

Click to view price, real time Inventory, Delivery & Lifecycle Information:

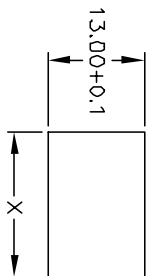
[E-Switch](#)  
[R1966AGRYGRYGF](#)

For any questions, you can email us directly:

[sales@integrated-circuit.com](mailto:sales@integrated-circuit.com)

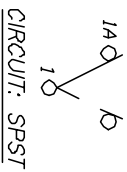


PANEL THICKNESS	X dimension
0.75-1.25 [0.30-0.49]	19.2-21 [0.756]
1.25-2.0 [0.49-0.79]	19.4-21 [0.764]
2.0-3.0 [0.79-1.18]	19.8-21 [0.780]



PANEL CUTOUT  
 NOT TO SCALE

SWITCH FUNCTION	
POS. 1	POS. 2
ON	OFF
1-1a	OPEN



NOTES:

1. ALL DIMENSIONS IN MM [INCH]
2. GENERAL TOLERANCE: X.X=±0.4  
X.XX=±0.25
3. TERMINAL NUMBERS FOR REF ONLY
4. RATING: 15A @ 125VAC OR  
6A @ 250VAC
5. MATERIALS: TERMINALS: Silver Plated Copper Alloy  
CONTACTS: Coin Silver, Silver Plated
6. ELECTRIC LIFE: 10,000 cycles
7. CONTACT RESISTANCE: <20 Mega Ω
8. INSULATION RESISTANCE: >1000 Mega Ω
9. DIELECTRIC STRENGTH: >1500 V 1 minute  
>3000 V between poles

**E-SWITCH®**

R1966A GRY GRY GF

REV.	ECN No.	DESCRIPTION	DATE	CHKD
A	11463	RELEASED FOR PRODUCTION	5/24/01	CJB

TITLE	SCALE	DATE	DR	DWG	REV
R1966A GRY GRY GF	1.5:1	5/24/01	MM	M301219	A

THE INFORMATION CONTAINED IN THIS DOCUMENT  
 IS PROPRIETARY TO E-SWITCH AND IS  
 NOT TO BE COPIED OR TRANSMITTED