



Excellent Integrated System Limited

Stocking Distributor

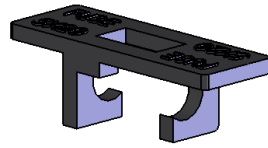
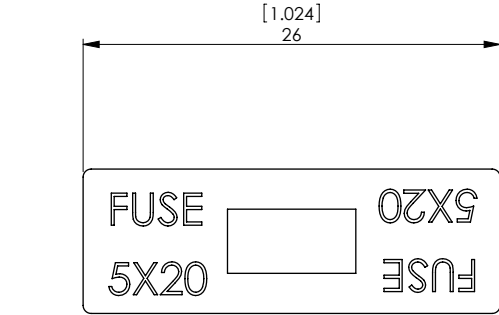
Click to view price, real time Inventory, Delivery & Lifecycle Information:

[Essentra Components \(formerly Richco, Inc.\)](#)
[FC-320-NV](#)

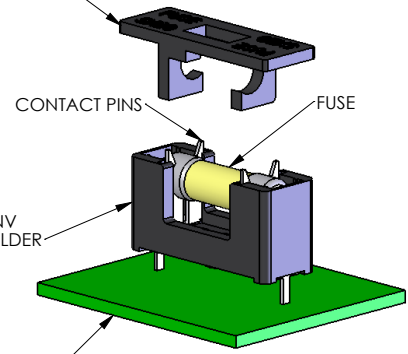
For any questions, you can email us directly:

sales@integrated-circuit.com

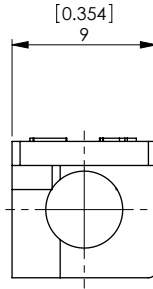
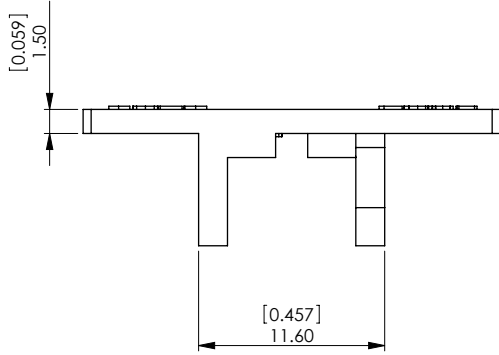
REV.	MODIFICATION.	DATE	DRN
01	NEW DRAWING	17/11/04	NJB
02	ECN 04-227	10/12/04	NJB
03	ECN 07-220	06/12/07	NJB



FC-320-NV
FUSE COVER



TYPICAL APPLICATION VIEW



INFORMATION CONTAINED IN THIS DOCUMENT IS CONFIDENTIAL TO RICHCO INTERNATIONAL Co. Ltd. AND MAY NOT BE DISCLOSED OR REPRODUCED IN WHOLE OR PART WITHOUT THEIR WRITTEN CONSENT

Richco

METRIC GENERAL TOLERANCES ±0.25
 ARE PRIMARY UNLESS OTHERWISE STATED
 1 DECIMAL PLACE ±
 2 DECIMAL PLACES ±
 ANGULAR ±1°

IMPERIAL GENERAL TOLERANCES ±0.010
 ARE FOR REFERENCE UNLESS OTHERWISE STATED
 1 DECIMAL PLACE ±
 2 DECIMAL PLACES ±
 ANGULAR ±1°

MATERIAL: NYLON 6/6 25% GF (RMS-49)		COLOUR: BLACK	
TITLE: FUSE COVER		PART No: FC-320-NV	
DRG No: 04-164	NPR REF:		SIZE A4
DRN NJB	DATE 17/11/04		CHKD OW
SCALE NTS	SHEET No 1 OF 1	FORM No 0145/02	

NOTES:
 1) ALL PRIMARY DIMENSIONS IN mm,
 SECONDARY DIMENSIONS IN [INCHES].