



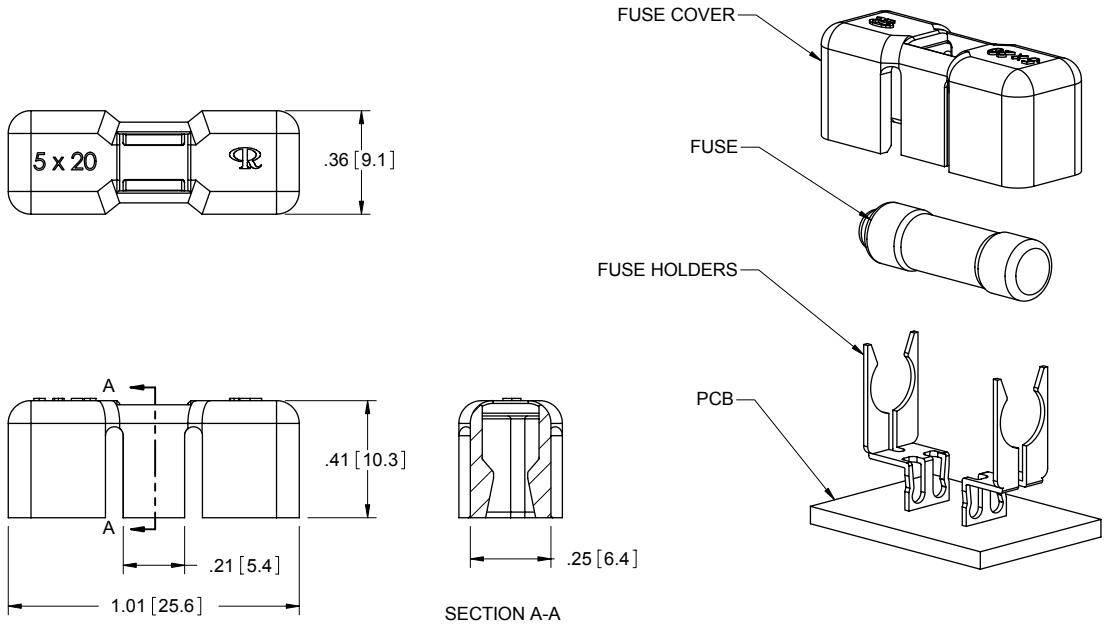
Excellent Integrated System Limited

Stocking Distributor

Click to view price, real time Inventory, Delivery & Lifecycle Information:

[Essentra Components \(formerly Richco, Inc.\)](#)
[FCE-5-19](#)

For any questions, you can email us directly:
sales@integrated-circuit.com



NOTES:

1. MATERIAL: FLAME RETARDANT NYLON 6/6 (RMS-19).
2. COLOR: NATURAL.
3. TO SNAP FIT ONTO A ϕ .20 X .79 [ϕ 5.00 X 20.00] FUSE

B	SEE ECN #1357 FOR CHANGES	SK	08/23/07
A	RELEASED FOR PRODUCTION	SM	08/10/04
REV.	DESCRIPTION	ENGR.	DATE

TITLE: FUSE COVER					
CREATED USING SOLIDWORKS	FILE #: FCE-5	DWN: SM	APP: BR	FINAL	
TOLERANCES UNLESS NOTED	SHEET: 1 OF 1	SHEET SIZE: A	DT: 08/10/04	CHKD: SJ	PART #
XX±.010 XXX±.005 FRAC: ±1/64 ANG: ±1°	RE: RICHCO, INC.	RICHCO, INC. ENG@RICHCO-INC.COM (773) 539-4060		FCE-5-19	PRINT TYPE CA