



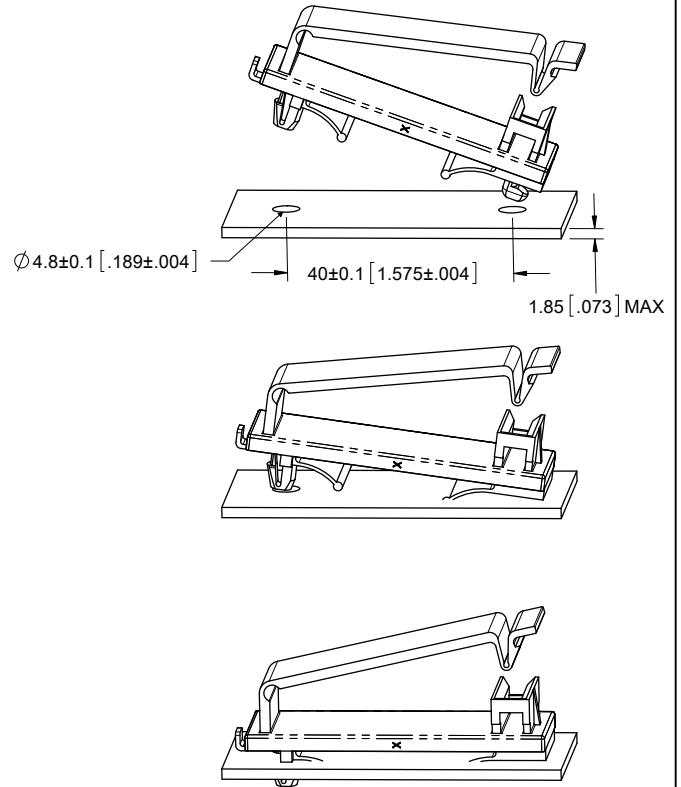
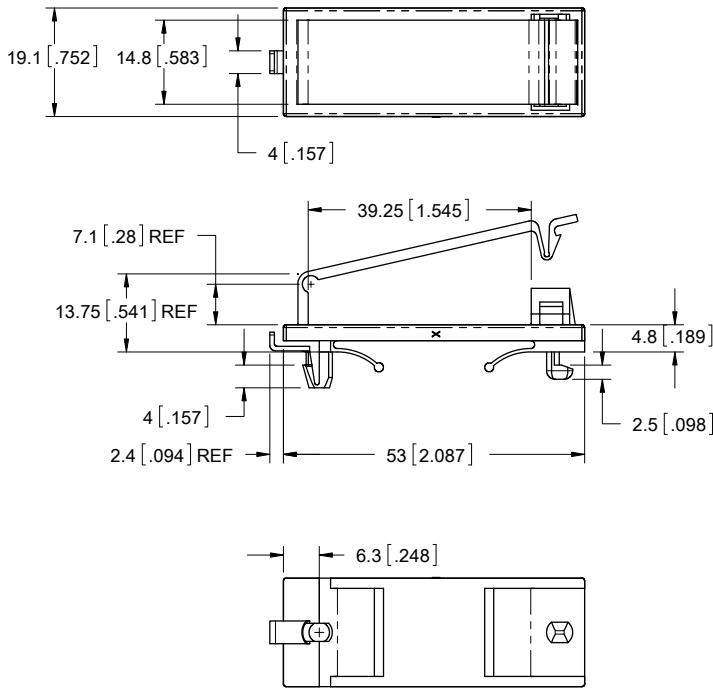
Excellent Integrated System Limited

Stocking Distributor

Click to view price, real time Inventory, Delivery & Lifecycle Information:

[Essentra Components \(formerly Richco, Inc.\)](#)
[FCSE-1](#)

For any questions, you can email us directly:
sales@integrated-circuit.com



- NOTES:
 1. MATERIAL: NYLON 6/6 UL 94 V-2 (RMS-01)
 NYLON 6/6 UL 94 V-0 (RMS-19) AVAILABLE BY SPECIAL ORDER
 2. COLOR: NATURAL
 3. ALTERNATE UNITS ARE FOR REFERENCE ONLY

TITLE: FLAT CABLE CLAMP SLIDE ENTRY				DWG IN mm [IN]		FINAL	
CREATED USING SOLIDWORKS	FILE #: FCSE-1	DWN: D.J.Z.	APP: D.J.Z.	SHEET: 1 OF 1		SHEET SIZE: A	
TOLERANCES UNLESS NOTED	RE: RICHCO INC.	DT: 04/28/2008	CHKD: S.K.	PART #		PRINT TYPE	
0-10=±0.1 10.01-30=±0.3 30.01-50=±0.5 ANG=±1°	---	RICHCO, INC. ENG@RICHCO-INC.COM (773) 539-4060		FCSE-1		CA	

A	RELEASED FOR PRODUCTION	SK	07/07/08
REV.	DESCRIPTION	ENGR.	DATE