



Excellent Integrated System Limited

Stocking Distributor

Click to view price, real time Inventory, Delivery & Lifecycle Information:

[Essentra Components \(formerly Richco, Inc.\)](#)
[FTH-37-01BK](#)

For any questions, you can email us directly:
sales@integrated-circuit.com

Introducing the *FTH-36 & 37* Cable Tie Holder, Fir Tree Mount

Features and Benefits

- Provides a secure grip in mounting hole
- Fir tree mount has low insertion force
- The cupped base covers the hole and can provide protection against contamination
- Allows pre-assembly of the cable tie into the holder and holds it in place

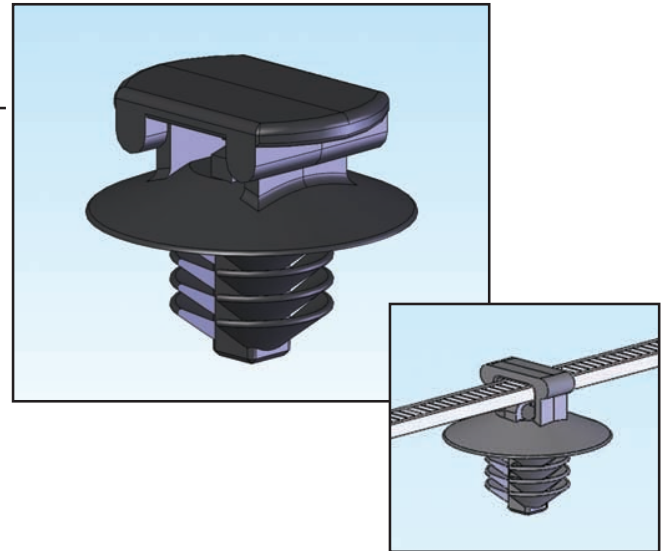


Fig. 1

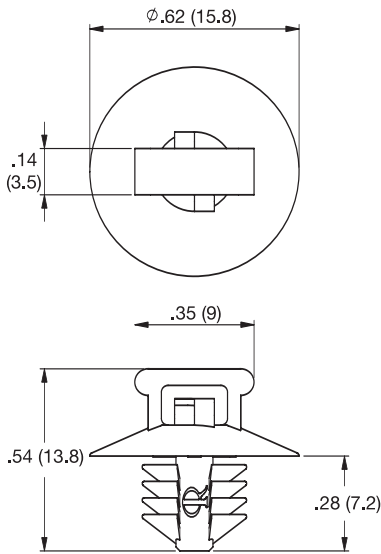
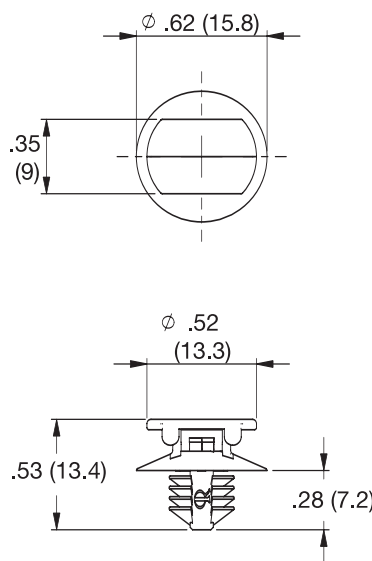


Fig. 2



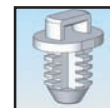
Markets

- Automotive
- Appliance
- Consumer Electronics
- Medical Equipment
- Security

Other Related Richco Product Solutions



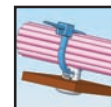
WIT



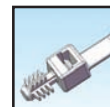
FTH-15



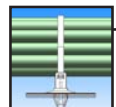
FTH-7



FTH-9



WITBH



WIT-30RCA

Material: Nylon 6/6, RMS-01* Color: Black				
Part No.	Standard Pack: 1,000 per bag			
	Hole Dia	Panel Thickness	Accepts Cable Ties	Fig
FTH-36-01BK	.26-.28 (6.5-7)	.03-.12 (.8-3)	WIT-18 thru -50 and QTE-18 thru 50	1
FTH-37-01BK	.26-.28 (6.5-7)	.03-.12 (.8-3)	WIT-18 thru -50 and QTE-18 thru 50	2

*Parts are available in UL94 V0 Material, RMS-19 by special order. To order, replace -01 with -19.

