



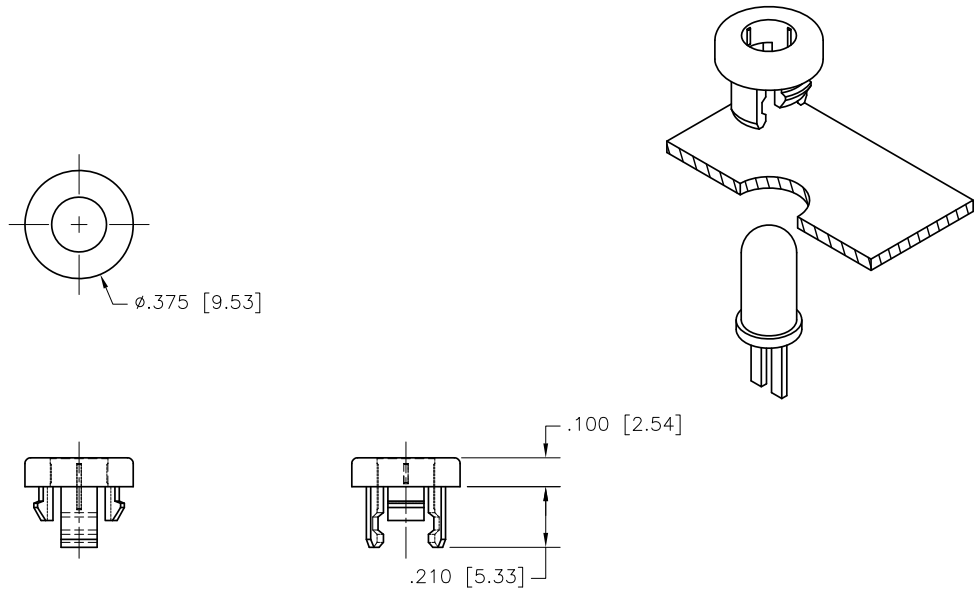
Excellent Integrated System Limited

Stocking Distributor

Click to view price, real time Inventory, Delivery & Lifecycle Information:

[Essentra Components \(formerly Richco, Inc.\)
LEDHPM-1](#)

For any questions, you can email us directly:
sales@integrated-circuit.com



NOTES:

1. MATERIAL: NYLON 6/6 UL 94 V-2 (RMS-01)
COLOR: NATURAL.
-MATERIAL: HEAT STABILIZED NYLON 6/6 UL 94 V-2 (RMS-047),
AVAILABLE BY SPECIAL ORDER ONLY.
TO ORDER USE PART NO. LEDHPM-1-HS.
2. MOUNTING HOLE DIAMETER: .281-.287 [7.14-7.29]
3. PANEL THICKNESS: .044-.048 [1.12-1.22]
4. HOLDER ACCEPTS A STANDARD T-1 $\frac{3}{4}$ LED.

TITLE: LED HOLDER, PANEL MOUNT, STYLE #1			DWG IN IN [MM] FINAL		PRINT TYPE CA	
TOLERANCES UNLESS NOTED .XX=±.01 .XXX=±.005 FRAC=±1/64 ANG=±1°			FILE # LEDHPM-1	DWN: R.D.G.	APP:	
C SEE CO 200239 FOR CHANGES SK 09.09.08			DT: 12/21/00		PART # LEDHPM-1	
B SEE ECN #1285 FOR CHANGES SK 02.12.07			RE: RICHCO, INC.		RICHCO INC. PO BOX 804238, CHICAGO, 60680 (773) 539-4060	
A SEE ECN #879 FOR CHANGES SM 11.15.04						
REV	DESCRIPTION	ENGR DATE				