



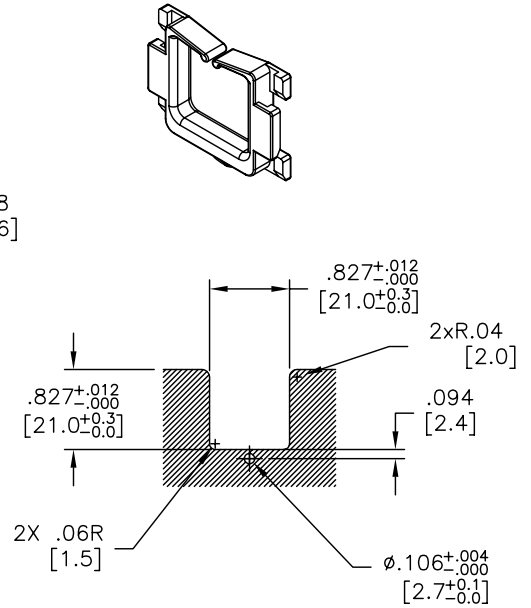
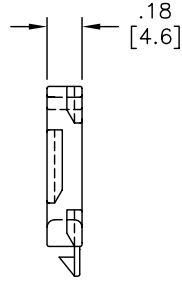
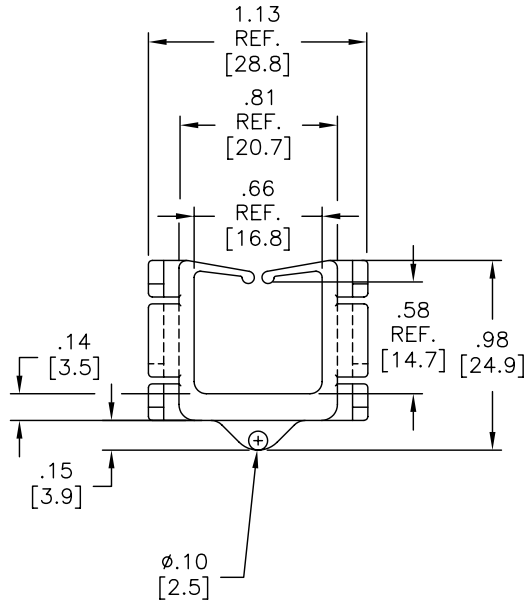
Excellent Integrated System Limited

Stocking Distributor

Click to view price, real time Inventory, Delivery & Lifecycle Information:

[Essentra Components \(formerly Richco, Inc.\)
LEWSE-21-01](#)

For any questions, you can email us directly:
sales@integrated-circuit.com



PANEL CUT-OUT DETAIL

NOTES:

1. MATERIAL NYLON 6/6 (RMS-01)
FLAME RETARDANT NYLON (RMS-19)
AVAILABLE BY SPECIAL ORDER.
2. COLOR: NATURAL
3. PANEL THICKNESS .031 TO .063
(0.8 TO 1.6)

TITLE: EDGE WIRE SADDLE		DWG IN IN. (MM)		FINAL	
TOLERANCES UNLESS NOTED .XX=±.01 .XXX=±.005 FRAC=1/64 ANG=1°	FILE # LEWSE-21	DWN: DLC	APP:	PART #	PRINT TYPE
	MAT'L: SEE NOTES:	DT: 3/1/02	DT:	LEWSE-21	CA
	RE: RICHCO, INC	RICHCO INC. PO BOX 804238, CHICAGO, 60680 (773) 539-4060			

B	CHANGED NOTE 1	SJ 03.27.02
A	RELEASED FOR PRODUCTION	DLC 3.4.02
REV	DESCRIPTION	ENGR DATE