



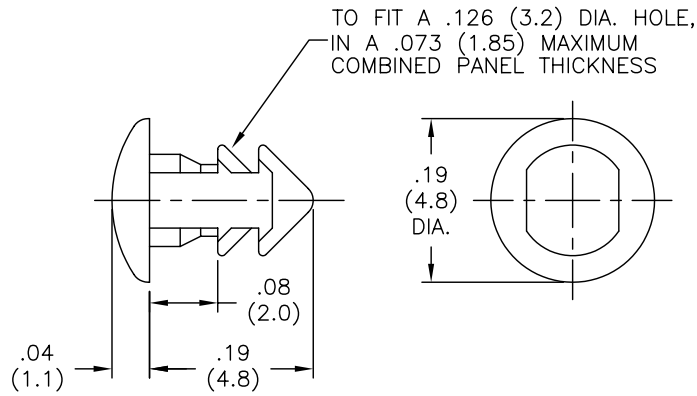
Excellent Integrated System Limited

Stocking Distributor

Click to view price, real time Inventory, Delivery & Lifecycle Information:

[Essentra Components \(formerly Richco, Inc.\)](#)
[MPLE-3.2M-01](#)

For any questions, you can email us directly:
sales@integrated-circuit.com



NOTES:

- MAT'L: NYLON 6/6 (RMS-01).
FLAME RETARDANT NYLON (RMS-19),
AVAILABLE BY SPECIAL ORDER ONLY.
- COLOR: NATURAL.

TITLE: MINIATURE PAWL-LOCK		DWG IN IN(MM)		FINAL	
TOLERANCES UNLESS NOTED .XX=±.010 .XXX=±.005 FRAC=1/64 ANG=1°		FILE # MPLE-3.2M	DWN: J.B.	APP:	PART #
RE: RICHCO, INC.		DT: 12-18-96 DT:		MPLE-3.2M-01	
B CHANGED FILE NUMBER SM 05.17.01		RICHCO INC. PO BOX 804238, CHICAGO, 60680 (773) 539-4060		PRINT TYPE CA	
A MAT'L RMS-19 ADDED J.L.10.25.99					
REV DESCRIPTION ENGR DATE					