



## **Excellent Integrated System Limited**

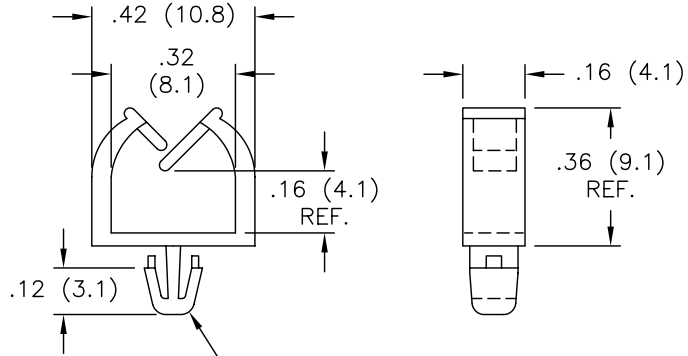
Stocking Distributor

Click to view price, real time Inventory, Delivery & Lifecycle Information:

[Essentra Components \(formerly Richco, Inc.\)](#)  
[MWSEA3-2-01](#)

For any questions, you can email us directly:  
[sales@integrated-circuit.com](mailto:sales@integrated-circuit.com)

MAT'L: NYLON 6/6 (RMS-01) COLOR: NATURAL PART NO. MWSEA3-2-01	MAT'L: FLAME RETARDANT NYLON 6/6 (RMS-19) COLOR: NATURAL PART NO. MWSEA3-2-19
---------------------------------------------------------------------------	----------------------------------------------------------------------------------------------



TO SNAP-LOCK IN A  $.138 \pm .002$   
( $3.5 \pm 0.05$ ) DIA. HOLE, IN A  
.063 (1.6) THICK BOARD

TITLE: MICRO WIRE SADDLES		DWG IN IN (MM)		FINAL	
TOLERANCES UNLESS NOTED .XX= $\pm .010$ .XXX= $\pm .015$ FRAC= $\pm 1/64$ ANG= $\pm 1^\circ$	FILE # MWSEA3	DWN: S.M.	APP:	PART #	PRINT TYPE
	MAT'L: SEE TABLE	DT: 12/04/01	DT:	SEE TABLE	CA
	RE: RICHCO, INC.	RICHCO INC. PO BOX 804238, CHICAGO, 60680 (773) 539-4060			
REV	DESCRIPTION	ENGR	DATE		