



Excellent Integrated System Limited

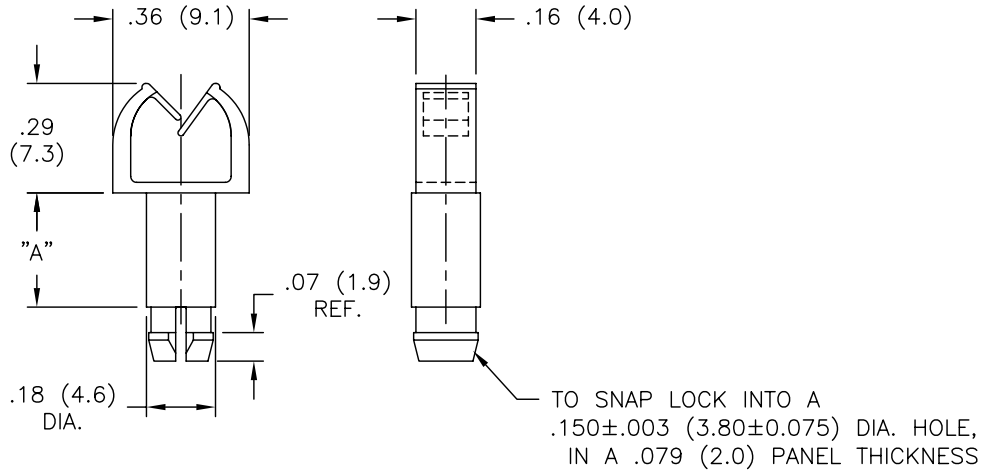
Stocking Distributor

Click to view price, real time Inventory, Delivery & Lifecycle Information:

[Essentra Components \(formerly Richco, Inc.\)](#)
[MWSELF-2-4.1-01](#)

For any questions, you can email us directly:
sales@integrated-circuit.com

MAT'L: NYLON 6/6 (RMS-01) COLOR: NATURAL PART NO.	MAT'L: NYLON 6/6 FLAME RET. (RMS-19) COLOR: NATURAL PART NO.	DIM. "A"	PANEL THICKNESS
MWSELF-2-4.1-01	MWSELF-2-4.1-19	.16 (4.1)	.079 (2.0)
MWSELF-2-7.7-01	MWSELF-2-7.7-19	.30 (7.7)	



TITLE: MICRO WIRE SADDLE-LOCKING FIX		DWG IN IN (MM)		FINAL	
TOLERANCES UNLESS NOTED .XX=±.010 .XXX=±.005 FRAC=±1/64 ANG=±1°	FILE # MWSELF-2 MAT'L: SEE NOTES	DWN: S.M. DT: 08/07/02	APP: DT:	PART # SEE TABLE	PRINT TYPE CA
RE: RICHCO, INC.	RICHCO INC. PO BOX 804238, CHICAGO, 60680 (773) 539-4060				

A	SEE ECN #824 FOR CHANGES	SM 07.14.04
REV	DESCRIPTION	ENGR DATE