



Excellent Integrated System Limited

Stocking Distributor

Click to view price, real time Inventory, Delivery & Lifecycle Information:

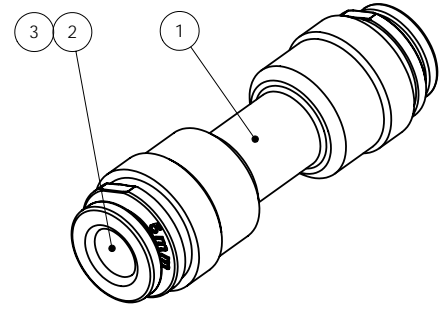
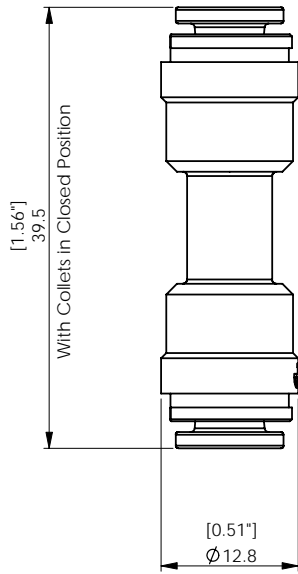
[Essentra Components \(formerly Richco, Inc.\)](#)

[OBFC-5-1](#)

For any questions, you can email us directly:

sales@integrated-circuit.com

REV.	MODIFICATION.	DATE	DRN
A	PROPOSAL	14/12/04	TC
01	DRAWING RELEASE	15/02/05	TC
02	ECN 2005-050 (O/A Dim)	14/04/05	TC



NOTES

- 1) METRIC PRIMARY UNITS: mm - IMPERIAL SECONDARY UNITS: [inches]
- 2) Tube insertion depth = 16.8mm [0.66"] with collets in release position
- 3) For Coupling (5mm dia) - OFBLT-XX-05-PP
 OFBLT-P-XX-05-PP
 OFBLTS-XX-05-PP

INFORMATION CONTAINED IN THIS DOCUMENT IS CONFIDENTIAL TO RICHCO INTERNATIONAL Co. Ltd. AND MAY NOT BE DISCLOSED OR REPRODUCED IN WHOLE OR PART WITHOUT THEIR WRITTEN CONSENT.



GENERAL TOLERANCES ±0.25 [0.01"]
 UNLESS OTHERWISE STATED
 ANGULAR ±1°



3	5mm 'O' Rings	Nitrile / Black (RMS-201)	4	MATERIAL: SEE TABLE	COLOUR: SEE TABLE
2	5mm Collets	Acetal / Black (RMS-202) / Stainless Steel Grip Ring (RMS-203)	2	DESCRIPTION: Optical Blown Fiber Connector - 5mm	PART No: OBFC-5-1
1	5mm BODY	Polycarbonate / Clear (RMS-204)	1	DRG No: 04-185	NPR No: N/A
ITEM	DESCRIPTION	MATERIAL / COLOUR	QTY	DRN TC	DATE 14/12/04
				CHKD XXX	DATE XX/XX/XX
				SCALE NTS	SHEET No. 1 OF 1